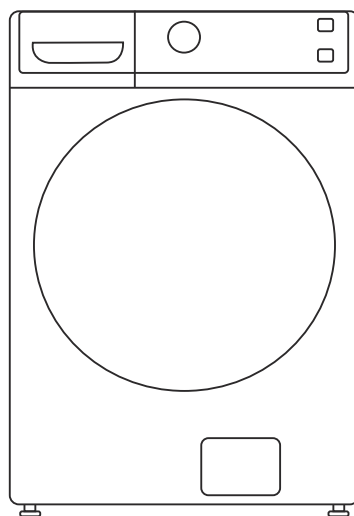




USER MANUAL & INSTALLATION INSTRUCTIONS

Washer

Power supply: 120V~
Circuit: 15-amp branch
Frequency: 60Hz
Capacity: 5.2 cu.ft.



Warning:

Before using this product, please read this manual carefully and keep it for future reference. The design and specifications are subject to change without prior notice for product improvement. Consult with your dealer or manufacturer for details.

MODEL NUMBERS

MLHW52S6BGG

MLHW52S7AGG

MLHW52S7AWW

www.midea.ca

Dear user

THANK YOU and CONGRATULATIONS on your purchase of this high-quality Midea product. Your Midea washer is designed for reliable, trouble-free performance. Please take a moment to register your new washer.

Register your new washer at **www.midea.com** under the **Support** tab.

For future reference, record your product model and serial numbers located on the inside frame of the washer.

Model Number _____

Serial Number _____

WASHER SAFETY	3
Proper Installation.....	5
When Not in Use.....	5
OPERATION REQUIREMENTS	6
Location of Your Washer.....	6
Electrical Requirements.....	6
Water Supply Requirements.....	7
Drain Requirements.....	7
INSTALLATION INSTRUCTIONS	8
Before You Begin.....	8
Tools Required.....	8
Parts Required (Obtain Locally).....	9
Parts Supplied.....	9
Rough-In Dimensions.....	9
Unpacking the Washer.....	10
Installing the Washer.....	11
WASHER USE	13
Control Panel.....	13
Features.....	20
Loading and Using the Washer.....	23

WASHER CARE	24
Cleaning	24
Moving, Storage and Long Vacations.....	28
TROUBLESHOOTING	29
Troubleshooting Tips	29
Error Codes.....	36
WARRANTY	37

WASHER SAFETY

Your Safety and the Safety of Others are Very Important

To prevent injury to the user or other people and property damage, the instructions shown here must be followed. Incorrect operation due to ignoring of instructions may cause harm or damage, including death. The level of risk is shown by the following indications.



This symbol indicates the possibility of death or serious injury.



This symbol indicates the possibility of injury or damage to property.



This symbol indicates the possibility of dangerous voltage constituting a risk of electrical shock is present that could result in death or serious injury

IMPORTANT SAFETY INSTRUCTIONS

WARNING

To reduce the risk of death, fire, explosion, electric shock, or injury to persons when using your vfd appliance, follow basic precautions, including the following:

- Read the instruction manual before using the appliance.
- DO NOT wash or dry articles that have been previously cleaned in, washed in, soaked in or spotted with gasoline, dry-cleaning solvents, or other flammable or explosive substances, as they give off vapors that could ignite or explode.
- DO NOT add gasoline, dry-cleaning solvents, or other flammable or explosive substances to the wash water. These substances give off vapors that could ignite or explode.
- Under certain conditions, hydrogen gas may be produced in a hot-water system that has not been used for 2 weeks or more. HYDROGEN GAS IS EXPLOSIVE. If the hot water system has not been used for such a period, before using a washing machine, turn on all hot-water faucets and let the water flow from each for several minutes. This will release any accumulated hydrogen gas. As the gas is flammable, DO NOT smoke or use an open flame during this time.
- DO NOT allow children to play on or in this appliance. Close supervision of children is necessary when this appliance is used near children. Before the washer is removed from service or discarded, remove the door or lid. Failure to follow these instructions may result in death or injury to persons.
- DO NOT reach into the appliance if the drum or other components are moving to prevent accidental entanglement.
- DO NOT install or store this appliance where it will be exposed to the weather.
- DO NOT tamper with controls, repair or replace any part of this appliance or attempt any servicing unless specifically recommended in the user maintenance instructions or in published user repair instructions that you understand and have the skills to carry out.
- Keep the area around your appliance clean and dry to reduce the possibility of slipping.
- DO NOT operate this appliance if it is damaged, malfunctioning, partially disassembled, or has missing or broken parts including a damaged cord or plug.
- Unplug the appliance or turn off the circuit breaker before servicing. Pressing the Power button DOES NOT disconnect power.
- See “Electrical Requirements” located in the Installation Instructions for grounding instructions. This appliance is not intended for use by persons (including children) with reduced physical, sensory or mental capabilities, or lack of experience and knowledge, unless they have been given supervision or instruction concerning use of the appliance by a person responsible for their safety. Children should be supervised to ensure that they do not play with appliance.

- If the supply cord is damaged, it must be replaced by the manufacture, its service agent or similarly qualified persons in order to avoid a hazard.
- The new hose-sets bought from the retailer where the product was purchased are to be used and that old hose-sets should not be reused.
- This appliance is for indoor use only.

SAVE THESE INSTUCTIONS

Proper Installation

- This washer must be properly installed and located in accordance with the Installation Instructions before it is used. Ensure the cold water hose is connected to the “C” valve.
- Install or store where it will not be exposed to temperatures below freezing or exposed to the weather, which could cause permanent damage and invalidate the warranty. Properly ground washer to conform with all governing codes and ordinances. Follow details in installation instructions.

WARNING

Electrical Shock Hazard




- Plug into a grounded 3 prong outlet.
- Do not remove the ground prong.
- Do not use an adapter.
- Do not use an extension cord
- Failure to do so can result in death, fire or electrical shock.

When Not in Use

Turn off water faucets to minimize leakage if a break or rupture should occur. Check the condition of the fill hoses; We recommend changing the hoses every 5 years.

State of California Proposition 65 Warnings:

 **WARNING: Cancer and Reproductive Harm**
-www.P65Warnings.ca.gov.

SAVE THESE INSTRUCTIONS

THIS APPLIANCE IS FOR HOUSEHOLD USE ONLY

OPERATION REQUIREMENTS

Location of Your Washer

Do Not Install the Washer:

1. In an area exposed to dripping water or outside weather conditions. The ambient temperature should never be below 60°F (15.6°C) for proper washer operation.
2. In an area where it will come in contact with curtains or drapes.
3. On carpet. The floor **MUST** be a hard surface with a maximum slope of 1/2" per foot (1.27 cm per 30 cm). To make sure the washer does not vibrate or move, you may have to reinforce the floor.

NOTE: If floor is in poor condition, use 3/4" impregnated plywood sheet solidly attached to the existing floor covering.

IMPORTANT: MINIMUM INSTALLATION CLEARANCES

- When installed in alcove: Top and Sides = 0" (0 cm), Back = 3" (7.6 cm)
- When installed in closet: Top and Sides = 0" (0 cm), Front = 2" (5 cm), Back = 3" (7.6 cm)
- Closet door ventilation openings required: 2 louvers each 60 square in. (387 cm), located 3" (7.6 cm) from top and bottom of door

Electrical Requirements

Read these instructions completely and carefully.

WARNING

TO REDUCE THE RISK OF FIRE, ELECTRICAL SHOCK AND PERSONAL INJURY:

- **DO NOT USE AN EXTENSION CORD OR AN ADAPTER PLUG WITH THIS APPLIANCE. Washer must be electrically grounded in accordance with local codes and ordinances.**

CIRCUIT - Individual, properly polarized and grounded 16-amp branch circuit fused with 16-amp time-delay fuse or circuit breaker.

POWER SUPPLY - 2-wire with ground, 120V~, single-phase, 60Hz, alternating current.

OUTLET RECEPTACLE - Properly grounded receptacle located so the power supply cord is accessible when the washer is in an installed position.



GROUNDING REQUIREMENTS

Improper connection of the equipment grounding conductor can result in a risk of electrical shock. Check with a licensed electrician if you are in doubt as to whether the appliance is properly grounded.

1. The washer **MUST** be grounded. In the event of malfunction or breakdown, grounding will reduce the risk of electrical shock by providing a path of least resistance for electrical current.
2. Since your washer is equipped with a power supply cord having an equipment-grounding conductor and a grounding plug, the plug **MUST** be plugged into an appropriate, copper-wired receptacle that is properly installed and grounded in accordance with all local codes. If in doubt, call a licensed electrician. **DO NOT** cut off or alter the grounding prong on the power supply cord. In situations where a two-slot receptacle is present, it is the owner's responsibility to have a licensed electrician replace it with a properly grounded grounding-type receptacle.

Water Supply Requirements

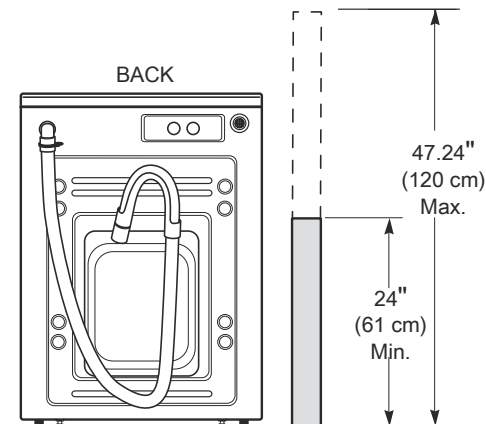
Hot and cold water faucet **MUST** be installed within 42" (107 cm) of your washer's water inlet. The faucet **MUST** be 3/4" (1.9 cm) garden hose-type so inlet hoses can be connected. Water pressure **MUST** be between 10 and 120 psi. Your water department can advise you of your water pressure.

Drain Requirements

1. Drain capable of eliminating 64.3 L per minute.
2. A standpipe diameter of 1 1/4" (3.18 cm) minimum.
3. The standpipe height above the floor should be:

Minimum height: 24" (61 cm)

Maximum height: 47.24" (120 cm)



INSTALLATION INSTRUCTIONS

Before You Begin

Read these instructions completely and carefully.

- **IMPORTANT** - Save these instructions for local inspector's use.
- **IMPORTANT** - Observe all governing codes and ordinances.
- **Note to Installer** - Be sure to leave these instructions with the Consumer.
- **Note to Consumer** - Keep these Instructions for future reference.
- **Skill level** - Installation of this appliance requires basic mechanical and electrical skills.
- **Completion time:** 1-3 hours.
- Proper Installation is the responsibility of the installer.
- Product failure due to improper installation is not covered under the Warranty.

For Your Safety:

WARNING

- This appliance must be properly grounded and installed as described in these Installation Instructions.
- Do not install or store the appliance in an area where it will be exposed to water/weather. See the Location of Your Washer section.
- **NOTE:** This appliance must be properly grounded, and electrical service to the washer.
- Certain internal parts are intentionally not grounded and may present a risk of electric shock only during servicing. Service Personnel - Do not contact the following parts while the appliance is energized: Electrical Valve, Drain Pump, Heater and Motor.

Tools Required

- Adjustable wrench or 1/2" socket with ratchet
- Adjustable wrench or 9/16" open-end wrench
- Channel-lock adjustable pliers
- Carpenter's level

Parts Required (Obtain Locally)

Water Hose (2)

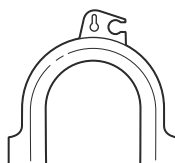


Parts Supplied

Cable Tie



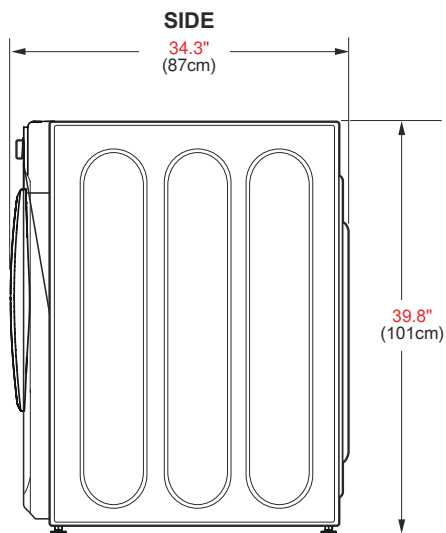
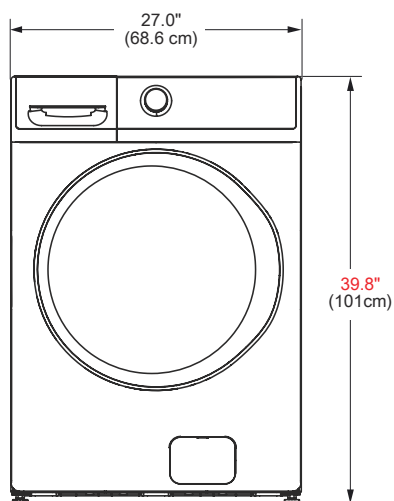
Drain Hose Guide



Inlet Hose Screen Washers (2)



Rough-in Dimensions



*NOTE: With pedestal, 52.6"
Stacked, 84"

Unpacking the Washer

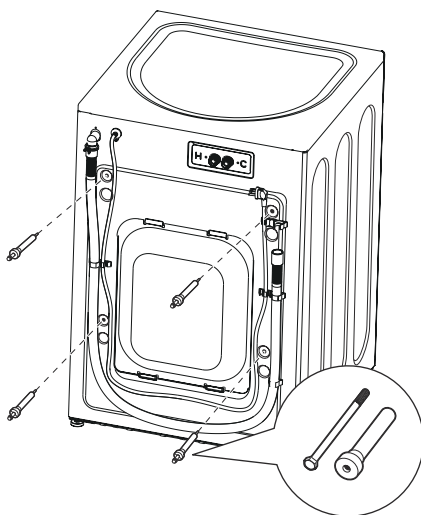
⚠ WARNING:

- Recycle or destroy the carton and plastic bags after the washer is unpacked. Make materials inaccessible to children. Children might use them for play. Cartons covered with rugs, bedspreads or plastic sheets can become airtight chambers causing suffocation.

1. Cut and remove the top and bottom packaging straps.
2. While it is in the carton, carefully lay the washer on its side. **DO NOT** lay the washer on its front or back.
3. Turn down the bottom flaps—remove all base packaging, including the cardboard, styrofoam base and styrofoam tub support (inserted in center of base).

NOTE: If you are installing a pedestal, proceed to the installation instructions that come with the pedestal.

4. Carefully return the washer to an upright position and remove the carton.
5. Carefully move the washer to within 4 feet (122 cm) of the final location.
6. Remove the following from the back side of the washer:
 - 4 bolts
 - 4 plastic spacers (including rubber grommets)
 - 4 power cord retainers



IMPORTANT: Failure to remove the shipping bolts* can cause the washer to become severely unbalanced.

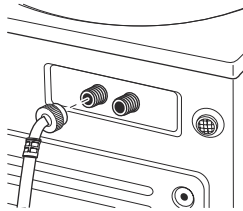
Save all bolts for future use.

* Any damages from failure to remove the shipping bolts are not covered by the warranty.

NOTE: If you must transport the washer at a later date, you must reinstall the shipping support hardware to prevent shipping damage. Keep the hardware in the plastic bag provided.

Installing the Washer

1. Run some water from the cold faucet to flush the water lines and remove particles that might clog up the inlet hose.
2. Ensure there is a rubber washer in the hoses. Reinstall the rubber washer into the hose fitting if it has fallen out during shipment. Carefully connect the inlet hose marked H^{OT} to the rear “H” inlet of the water valve. Tighten by hand; then tighten another 2/3 turn with pliers. And C^{OLD} to the rear “C” inlet of the water valve. Tighten by hand; then tighten another 2/3 turn with pliers.



Do not crossthread or over-tighten these connections.

3. Install the screen washers by inserting them into the free ends of the inlet hoses with protruded side facing the faucet.
4. Connect the inlet hose ends to the H^{OT} and C^{OLD} water faucets tightly by hand, then tighten another 2/3 turn with pliers. Turn the water on and check for leaks.



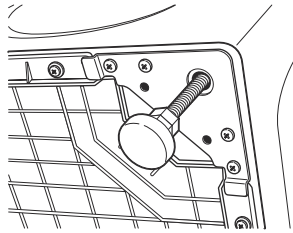
5. Carefully move the washer to its final location. Gently rock the washer into position ensuring inlet hoses do not become kinked. It is important not to damage the rubber leveling legs when moving your washer to its final location. Damaged legs can increase washer vibration. It may be helpful to spray window cleaner on the floor to help move your washer into its final position.

NOTE: To reduce vibration, ensure that all four rubber leveling legs are firmly touching the floor. Push and pull on the back right and then back left of your washer.

NOTE: Do not use the dispenser drawer or door to lift the washer.

NOTE: If you are installing into a drain pan, you can use a 24-inch long 2x4 to lever the washer into place.

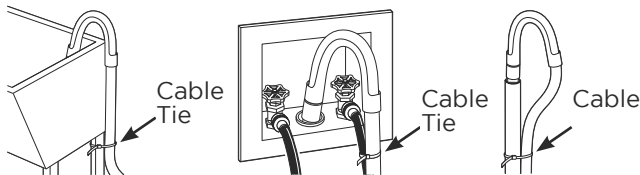
- With the washer in its final position, place a level on top of the washer (if the washer is installed under a counter, the washer should not be able to rock). Adjust the front leveling legs up or down to ensure the washer is resting solid. Turn the locknuts on each leg up towards the base of the washer and snug with a wrench.



NOTE: Keep the leg extension at a minimum to prevent excessive vibration. The farther out the legs are extended, the more the washer will vibrate.

If the floor is not level or is damaged, you may have to extend the rear leveling legs.

- Attach the U-shaped hose guide to the end of the drain hose. Place the hose in a laundry tub or standpipe and secure it with the cable tie provided in the enclosure package.



NOTE: Placing the drain hose too far down the drain pipe can cause a siphoning action. No more than 7 inch (17.78 cm) of hose should be in the drain pipe. There must be an air gap around the drain hose. A snug fit can also cause a siphoning action.

- Plug the power cord into a grounded outlet.

NOTE: Check to be sure the power is off at the circuit breaker/fuse box before plugging the power cord into an outlet.

- Turn on the power at the circuit breaker/fuse box.
- Read the rest of this Owner's Manual. It contains valuable and helpful information that will save you time and money.
- Before starting the washer, check to make sure:
 - Main power is turned on.
 - The washer is plugged in.

- The water faucets are turned on.
- The unit is level and all four leveling legs are firmly in the floor.
- The shipping support hardware is removed and saved.
- The drain hose is properly tied up.

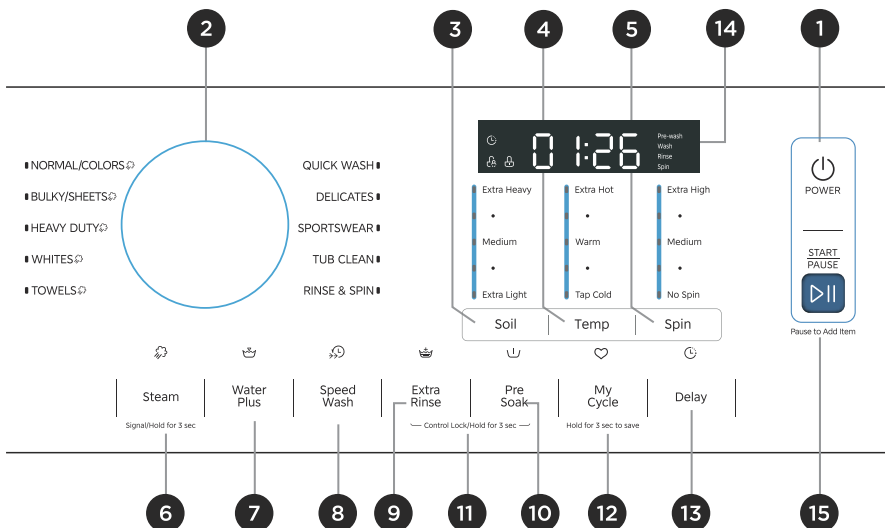
12. Run the washer through a complete cycle.

13. If your washer does not operate, please review the Before You Call For Service section before calling for service.

14. Place these instructions in a location near the washer for future reference.

WASHER USE

Control Panel



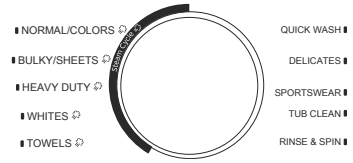
Quick Start

1 Press the Power button .

If the screen is dark, a press of the Power button will “wake up” the display.

2 Select a wash cycle. (Defaults are set for each cycle. These default settings can be changed. See Control setting for more Information).

3 Press  to START.



NOTE:



1: The machine will lock the door and the drum will start to rotate; the door will be unlocked and then locked again as preparation phase of each washing cycle. The “Clicking” noise is part of the door locking mechanism. Water will enter the drum and start the washing phase once the door is locked.

2: Before washing, please make sure the machine is installed properly.

3: Your appliance was thoroughly checked before it left the factory. To remove any residual water and to neutralize potential odors, it's recommended to clean your appliance before first use. For this reason, start the Tub Clean program without laundry and detergent.

Control Setting

1 Power

Press  to “wake up” the display. If the display is active, press  to put the washer into standby mode.

NOTE: Pressing Power does not disconnect the appliance from the power supply.

2

Wash Cycles

The wash cycles are optimized for specific types of wash loads. The chart below will help you match the setting with the loads.

NORMAL/ COLORS	For heavily to lightly soiled colorfast cottons, household linens, work and play clothes. NOTE: This is the most common cycle.
BULKY/ SHEETS	For large items such as comforters, blankets, small rugs and similar bulky items.
HEAVY DUTY	Washing the large and heavy clothing, such as overcoats or towels.
WHITES	For heavily to lightly soiled white laundry, work and play clothes
TOWELS	For items such as towels, sheets, pillowcases and dish rags
QUICK WASH	For lightly soiled items needed in a hurry. Cycle time is approximately 26 minutes, depending on selected options.
DELICATES	For delicate, washable textiles, e.g. made of silk, satin, synthetic fibers or blended fabrics.
SPORTSWEAR	Washing the activewear.
TUB CLEAN	Use for cleaning the basket of residue and odor. Recommended use of at least once per month. NOTE: Never load laundry white using Tub Clean. The laundry may become damaged See the Care and Cleaning section.
RINSE & SPIN	To quickly rinse and spin out any items at any time.

3 SOIL LEVEL

Change the soil level to increase or decrease the wash time to remove different amounts of soil.

To change the soil level, press the Soil Level button, until you have reached the desired setting. You can choose between Extra Light, Light, Medium, Heavy or Extra Heavy soil levels.

4 WASH TEMP

Adjust to select the proper main water temperature for the wash cycle. The Pre Soak and Rinse water is always cold to help reduce energy usage and reduce setting of stains and wrinkles.

To change the wash temperature, press the Wash Temp button until you have reached the desired setting.

You can choose between Tap Cold, Cold, Eco Warm, Warm, or Hot.

Follow the fabric manufacturer's care label when selecting the wash temperature.

By design, to protect fabrics, not all wash temperatures are available for certain wash cycles.

5 SPIN SPEED

Changing the spin speed changes the final spin speed of the cycles. Always follow the garment manufacturer's care label when changing the Spin speed.

To change the spin speed, press the Spin Speed button until you have reached the desired setting. You can choose between No Spin, Low, Medium, High or Extra High. Higher spin speeds are not available on certain cycles, such as Delicates. Higher spin speeds remove more water from the clothes and will help reduce dry time, but may also increase the possibility of setting wrinkles on some fabrics.

6 STEAM

Signal/Holdfor 3 sec

Steam adds steam into the washer to assist with loosening stains on the NORMAL/ COLORS, BULKY/SHEETS, HEAVY DUTY, WHITES or TOWELS cycle.

Hold the button for 3 seconds to turn the Signal on or off for all knob turns and button presses.

To use:

1. Turn power ON and select a wash cycle.
2. Select the Add Steam button to activate steam.
3. Press the **▶||** button.

7 WATER PLUS

Increases the water level of the main wash.

Option Is available on BULKY/SHEETS, HEAVY DUTY, WHITES, TOWELS, SPORTSWEAR, DELICATES.

To use:

1. Turn power ON and select a wash cycle.
2. Select the Water Plus button to activate water plus.
3. Press the **▶||** button.

8 SPEED WASH

This option reduces the overall washer cycle time by optimizing the wash, rinse and spin actions and/ or gently raising the wash temperature to get clothes cleaned faster. Option is available on NORMAL/ COLORS, BULKY/SHEETS, HEAVY DUTY, WHITES, TOWELS, SPORTSWEAR.

Total wash time will vary based on cycle chosen and options selected.

To use:

1. Turn power on and select a wash cycle which has Speed Wash as an option.
2. Make any adjustments to Soil, Temp and Spin as desired.
3. Press the Speed Wash button to reduce the overall wash time.
4. Press the **▶||** button.

9 EXTRA RINSE

This option allows for an extra rinse during a cycle to remove excess dirt and detergent from soiled loads.

10 PRE SOAK

For soaking your garments prior to the wash cycle. This option begins with a brief tumble and then proceeds to soak the clothes with water and detergent for a specified period of time. Once complete, the cycle will begin automatically. Pre Soak must be selected prior to pressing **▶||** button.

The Pre Soak time will add an additional **20–30** minutes to the overall wash time. High-efficiency detergent from the main wash compartment in the dispenser is used for the Pre Soak period and main wash cycle.

11 EXTRA RINSE AND PRE SOAK

Control Lock/Hold for 3 sec

You can lock the controls to prevent any selections from being made. Or you can lock or unlock the controls after you have started a cycle.

Children cannot accidentally start the washer by touching buttons with this option selected.

To lock the washer, press and hold the Extra Rinse and Pre Soak buttons for 3 seconds.

To unlock the washer controls, press and hold Extra Rinse and Pre Soak buttons for 3 seconds.

NOTE: The Power button can still be used when the machine is locked.

12 MY CYCLE

Hold for 3 sec to save

To save a favorite cycle & desired settings and hold down the My Cycle button for 3 seconds, A beep will sound to indicate the cycle has been saved.

To use your custom cycle, My Cycle before washing a load.

To change the saved cycle, set the desired setting and My Cycle button for 3 seconds.

NOTE: When using My Cycle, wash options cannot be modified after the cycle has been started.

NOTE: If you change wash options with My Cycle before starting the cycle, the My Cycle light will turn off and you will be returned to the base cycle.

13 DELAY

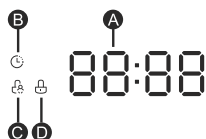
You can delay the start of a wash cycle for up to 24 hours. Press the Delay button to choose the amount of time you want to delay the start of the wash cycle. Once the desired time is reached, press the >11 button. The machine will count down and start automatically at the correct time.

NOTE: If you forget to close the door, a double beep will sound when pressing pause/add garment button.

14 Display

Displays the approximate time remaining until the end of the cycle.

NOTE: The cycle time is affected by the water pressure in your home and the balance of the load in the washer. You may see the time remaining on the display increase to accommodate a slower spin speed to handle unbalanced loads.



Cycle status is also displayed and certain features such as Delay Wash or Child Lock are shown indicating they have been selected.

A Display

Wash Time	Delay Time
1:25	2H
End	Error
End	E30

B Remain-Delay

C Child Lock

D Door Lock


15 PAUSE Add a Garment




PAUSE

Add a Garment

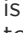
Start/Pause

Press  to start a wash cycle. If the washer is running, pressing it once will pause the washer. Press again to restart the wash cycle.

Add a Garment

If you want add a garment, please press the  button.

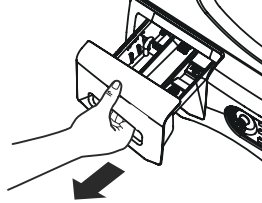
The washer will unlock the door. Press again to restart the cycle.

Note: When using the add a garment function, after pressing , the machine door is still locked, usually due to the water level over the edge of the inner tub or the temperature is higher

Features

The Dispenser Drawer

Slowly open the dispenser drawer by pulling it out until it stops. After adding laundry products, slowly close the dispenser drawer. Closing the drawer too quickly could result in early dispensing of the bleach, fabric softener or detergent.




You may see water in the dispenser drawer at the end of the cycle. This is a result of the flushing/siphoning action and is part of the normal operation of the washer.

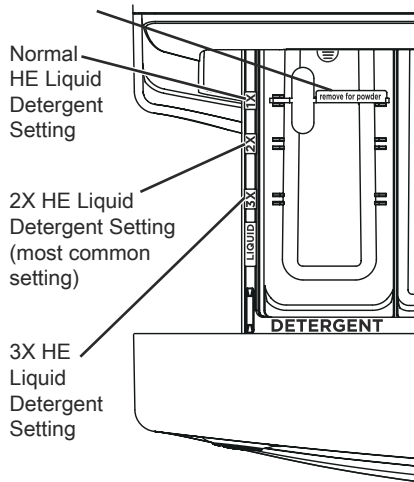
NOTE: Liquid detergent will drain into the washer drum as it is added.

- Detergent usage may need to be adjusted for water temperature, water hardness, size and soil level of the load. Avoid using too much detergent in your washer as it can lead to over sudsing and detergent residue being left on the clothes.

The Detergent Compartment

- High-efficient detergent is required for this washer. Use the detergent manufacturer's recommended amount. 
- Add measured detergent to the front left detergent compartment of the dispenser drawer.

Remove for powder detergent

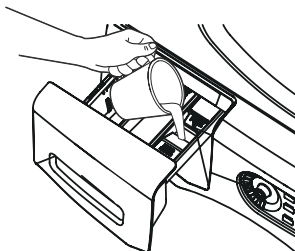


- Detergent is flushed from the dispenser at the beginning of the wash cycle. Either powdered or liquid detergent can be used.
- Powder Detergent-Remove the Detergent selection insert and place it in a safe location outside of the washer. Follow the detergent manufacturer's instructions when measuring the amount of powder to use.
- Detergent usage may need to be adjusted for water temperature, water hardness, size and soil level of the load. Avoid using too much detergent in your washer as it can lead to oversudsing and detergent residue being left on the clothes.
- Using more detergent than the recommended quantity can cause residue buildup on your washer.
- Liquid Detergent - Locate the concentration of your detergent on the bottle. Place the Detergent selection insert in the corresponding location depending on the concentration.

The Liquid Bleach Compartment

IMPORTANT: Be sure to identify the correct compartment for bleach before using.

If desired, measure out the recommended amount of liquid bleach, not 1/3 cup (80 mL), and pour into the right compartment labeled “LIQUID BLEACH”.



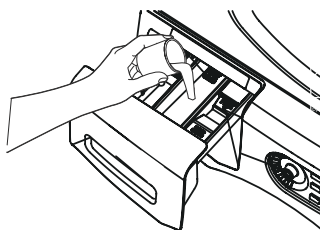
Do not exceed the maximum fill line. Overfilling can cause early dispensing of the bleach which could result in damaged clothes.

NOTE: Do not use powdered bleach in the dispenser.

The Fabric Softener Compartment

IMPORTANT: Be sure to identify the correct compartment for fabric softener before using.

If desired, pour the recommended amount of liquid fabric softener into the compartment labeled “FABRIC SOFTENER”.



Use only liquid fabric softener in the dispenser.

Dilute with water to the maximum fill line.

Do not exceed the maximum fill line. Overfilling can cause early dispensing of the fabric softener which could stain clothes.

NOTE: Do not pour fabric softener directly on the wash load.

Loading and Using the Washer

Always follow fabric manufacturer's care label when laundering.

Sorting Wash Loads

Sort laundry into loads that can be washed together.

COLORS	SOIL	FABRIC	LINT
Whites	Heavy	Délicates	Lint Producers
Lights	Normal	Easy Care	Lint Collectors
Darks	Light	Sturdy Cottons	

- Combine large and small items in a load. Load large items first. Large items should not be more than half the total wash load.
- Washing single items is not recommended. This may cause an out-of-balance load. Add one or two similar items.
- Pillows and comforters should not be mixed with other items. This may cause an out-of-balance load.



WARNING



Fire Hazrd

- Never place items in the washer that are dampened with gasoline or other flammable liquids.
- No washer can completely remove oil.
- Do not dry anything that has ever had any type of oil on it (including cooking oils).
- Doing so can result in death, explosion, or fire.

Preparing Clothes

To avoid snags during washing:

Follow these steps to maximize garment care.

- Close garment zippers, snaps, buttons and hooks.
- Mend seams, hems, tears.
- Empty all items from pockets.
- Remove nonwashable garment accessories such as ornaments and nonwashable trim materials.
- To avoid tangling, tie strings, draw ties and belt-like materials.
- Brush away surface dirt and lint.
- Promptly wash wet or stained garments to maximize results.
- Use nylon mesh garment bags to wash small items.
- Wash multiple garments at one time for best results.

Loading the Washer

Wash drum may be fully loaded with loosely added items. Do not wash fabrics containing flammable materials (waxes, cleaning fluids, etc.).

To add items after washer has started, press **▶||** and wait until the door is unlocked. The washer may take up to 30 seconds to unlock the door after pressing **▶||** depending on the machine conditions.

Do not try to force open the door when it is locked.

After the door unlocks, open gently. Add items, close the door and press **▶||** to restart.

WASHER CARE

Cleaning

Exterior

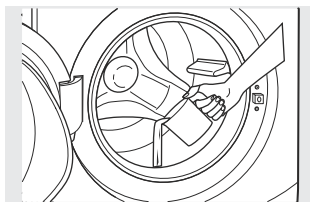
Immediately wipe off any spills. Wipe with damp cloth. Do not hit surface with sharp objects.

Interior

To clean the interior of the washer, select the Tub Clean feature on the control panel. This Tub Clean cycle should be performed, at a minimum, once per month. This cycle will use more water, in addition to bleach, to control the rate at which soils and detergents may accumulate in your washer.

NOTE: Read the instructions below completely before starting the Tub Clean cycle.

1. Remove any garments or objects from the washer and ensure the washer basket is empty.
2. Open the washer door and pour one cup or 250 mL of liquid bleach or other washing machine cleaner into the basket.



3. Close the door and select the Tub Clean cycle. Push the **▶||** button.
4. When the Tub Clean cycle is working, the display will show the estimated cycle time remaining. Do not interrupt the cycle.

5. After the cycle is complete, leave the door open slightly for better ventilation.

If for any reason the cycle needs to be interrupted, the door will not open immediately. Forcing open the door at this stage may cause water to flood. The door will open after the water is drained to a level where it would not flood the floor.

Tub Clean may be interrupted by pressing **▶||** button in between cycles. A power outage in the house might also interrupt the cycle. When the power supply is back, the Tub Clean cycle resumes where it had stopped. When interrupted, be sure to run a complete Tub Clean cycle before using the washer. If the Power pad Is pressed during Tub Clean, the cycle will be lost.

IMPORTANT:

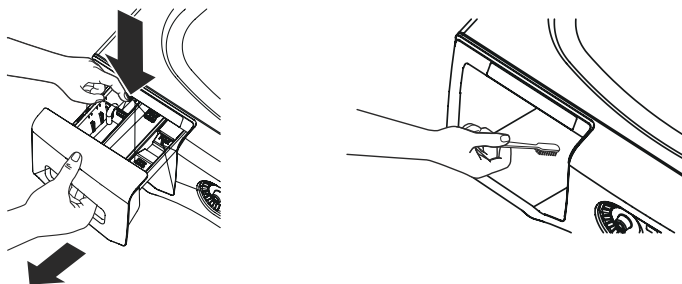
- Run Tub Clean with 1 Cup (250mL) of bleach once a month.
- After the completion of a Tub Clean cycle, the interior of your washer may have a bleach smell.
- It is recommended to run a light color load after the Tub Clean cycle.

Dispenser Drawer Area

Detergent and fabric softener may build up in the dispenser drawer. Residue should be removed once or twice a month.

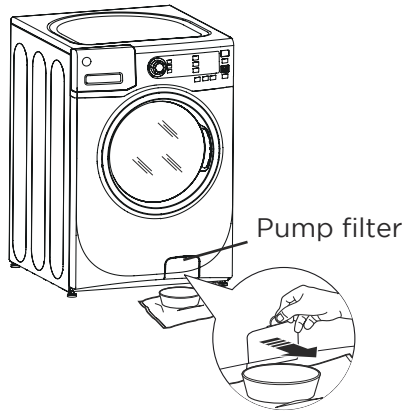
Lock tab is visible only after drawer has been pulled open.

Remove the drawer by first pulling it out until it stops. Then reach back into the left rear corner of the drawer cavity and press down firmly on the lock tab, pulling out the drawer.

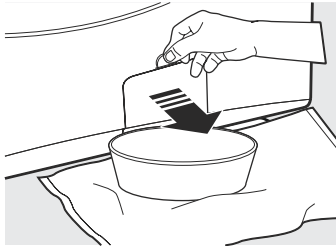


Cleaning the Pump Filter

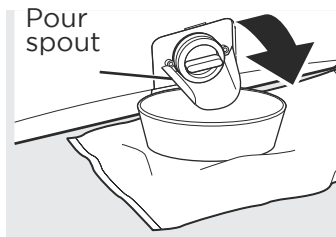
Due to the nature of the front-load washer, it is sometimes possible for small articles to pass to the pump. The washer has a filter to capture lost items so they are not dumped to the drain. To retrieve lost items, clean out the pump filter.



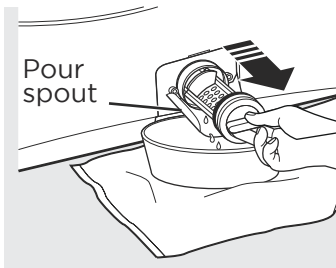
1. Using a coin or flat screwdriver in the notch on the door, open the access door.



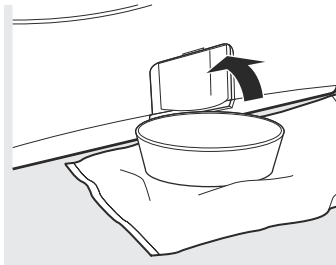
2. Place a shallow pan or dish under the pump access door and towels on the floor in front of the washer to protect the floor. It is normal to catch about a cup of water when the filter is removed.
3. Pull down the pour spout.



4. Turn the pump filter counterclockwise and remove the filter. Open slowly to allow the water to drain.



5. Clean the debris from the filter.
6. Replace the filter and turn clockwise. Tighten securely.
7. Flip up the pour spout.
8. Close the access door.

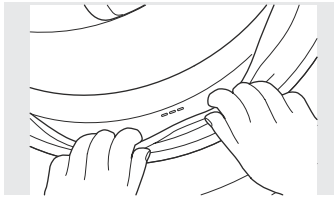


Cleaning the Door Gasket

- 1 Open the washer door. Using both hands, press down the door gasket. Remove any foreign objects if found trapped inside the gasket. Make sure there is nothing blocking the holes behind the gasket.



- 2 While holding down the door gasket, inspect the interior gasket by pulling it down with your fingers. Remove any foreign objects if found trapped inside this gasket. Make sure there is nothing blocking the holes behind the gasket.



- 3 When you are finished cleaning the door gasket, remove your hands and the gasket will return to the operating position.

Moving, Storage and Long Vacations

Ask the service technician to remove water from drain pump and hoses. Do not store the washer where it will be exposed to the weather. When moving the washer, the tub should be kept stationary by using the shipping bolts removed during installation. See Installation Instructions in this book.

Be sure the water supply is shut off at the faucets. Drain all water from the hoses if the weather will be below freezing.

Certain internal parts are intentionally not grounded and may present a risk of electric shock only during servicing. Service Personnel - Do not contact the following parts while the appliance is energized: Electrical Valve, Drain Pump, Heater and Motor.

TROUBLESHOOTING

Troubleshooting Tips

Before You Call For Service...

Save time and money! Review the charts on the following pages first and you may not need to call for service.

Problem	Possible Cause	What To Do
Not draining Not spinning Not agitating	Load is out of balance	<ul style="list-style-type: none"> • Redistribute clothes and run drain & spin or rinse & spin. • Increase load size if washing small load containing heavy and light items.
	Pump clogged	<ul style="list-style-type: none"> • See page 26 on how to clean the Pump Filter.
	Drain hose is kinked or improperly connected	<ul style="list-style-type: none"> • Straighten drain hose and make sure washer is not sitting on it.
	Household drain may be clogged	<ul style="list-style-type: none"> • Check household plumbing. You may need to call a plumber.
	Drain hose siphoning; drain hose pushed too far down the drain	<ul style="list-style-type: none"> • Ensure there is an air gap between hose and drain.
Leaking water	Door gasket is damaged	<ul style="list-style-type: none"> • Check to see if gasket is seated and not torn. Objects left in pockets may cause damage to the washer (nails, screws, pens, pencils).
	Door gasket not damaged	<ul style="list-style-type: none"> • Water may drip from the door when the door is opened. This is a normal operation. • Carefully wipe off rubber door seal. Sometimes dirt or clothing is left in this seal and can cause a small leak.
	Check back left of washer for water	<ul style="list-style-type: none"> • If this area is wet, you have oversudsing condition. Use less detergent.

Problem	Possible Cause	What To Do
Leaking water (cont.)	<p>Fill hoses or drain hose is improperly connected</p> <p>Household drain may be clogged</p> <p>Dispenser clogged</p> <p>Incorrect use of detergent</p> <p>Dispenser box crack</p>	<ul style="list-style-type: none"> • Make sure hose connections are tight at washer and faucets and make sure end of drain hose is correctly inserted in and secured to drain facility. • Check household plumbing. You may need to call a plumber. • Powder soap may cause clogs inside the dispenser and cause water to leak out the front of the dispenser. Remove drawer and clean both drawer and inside of dispenser box. Please refer to Cleaning the Washer section. • Use HE and correct amount of detergent. • If new installation, check for crack on inside of dispenser box.
Clothes too wet	<p>Load is out of balance</p> <p>Pump clogged</p> <p>Overloading</p> <p>Drain hose is kinked or improperly connected</p>	<ul style="list-style-type: none"> • Redistributes clothes and run drain & spin or rinse & spin. • Increase load size if washing small load containing heavy and light items. • The machine will slow the spin speed down to 400 rpm if it has a hard time balancing the load. This speed is normal. • See page 26 on how to clean the Pump Filter. • The dry weight of the load should be less than suggested weight. • Straighten drain hose and make sure washer is not sitting on it.

Problem	Possible Cause	What To Do
Clothes too wet (cont.)	Household drain may be clogged	<ul style="list-style-type: none"> • Check household plumbing. You may need to call a plumber.
	Drain hose siphoning; drain hose pushed too far down the drain	<ul style="list-style-type: none"> • Ensure there is an air gap between hose and drain.
Incomplete cycle or timer not advancing	Automatic load redistribution	<ul style="list-style-type: none"> • Timer adds 3 minutes to cycle for each rebalance. 11 or 15 rebalances may be done. This is normal operation. Do nothing; the machine will finish the wash cycle.
	Pump clogged	<ul style="list-style-type: none"> • See page 26 on how to clean the Pump Filter.
	Drain hose is kinked or improperly connected	<ul style="list-style-type: none"> • Straight drain hose and make sure washer is not sitting on it.
	Household drain may be clogged	<ul style="list-style-type: none"> • Check household plumbing. You may need to call a plumber.
	Drain hose siphoning; drain hose pushed too far down the drain	<ul style="list-style-type: none"> • Ensure there is an air gap between hose and drain.
Loud or unusual noise; vibration or shaking	Cabinet moving	<ul style="list-style-type: none"> • Washer is designed to move 1/4 to reduce forces transmitted to the floor. This movement is normal.
	All rubber leveling legs are not firmly touching the floor	<ul style="list-style-type: none"> • Push and pull on the back right and then back left of your washer to check if it is level. If the washer is uneven, adjust the rubber leveling legs so they are all firmly touching the floor and locked in place. Your installer should correct this problem.
	Unbalanced load	<ul style="list-style-type: none"> • Open door and manually redistribute load. To check machine, run rinse and spin with no load. If normal, unbalance was caused by load.
	Pump clogged	<ul style="list-style-type: none"> • See page 26 on how to clean the Pump Filter.

Problem	Possible Cause	What To Do
No power/ washer not working or dead	Washer is unplugged Water supply is turned off Circuit breaker/fuse is tripped/blown Automatic self system checks	<ul style="list-style-type: none"> • Make sure cord is plugged securely into a working outlet. • Turn cold faucet fully on. • Check house circuit breaker/fuses. Replace fuses or reset breaker. Washer should have separate outlet. • First time the washer is plugged in, automatic checks occur. It may take up to 2 minutes before you can use your washer. This is normal operation.
Snags, holes, tears, rips or excessive wear	Overloaded Pens, pencils, nails, screws or other objects left in pockets Pins, snaps, hooks, sharp buttons, belt buckles, zippers and sharp objects left in pockets	<ul style="list-style-type: none"> • The dry weight of the load should be less than suggested weight. • Remove loose items from pockets. • Fasten snaps, hooks, buttons and zippers.
Control time wrong or changes	This is normal	<ul style="list-style-type: none"> • During spin the washer may need to rebalance the load sometimes to reduce vibrations. When this happens, the estimated time is increased causing time left to increase or jump.
Not enough water	This is normal	<ul style="list-style-type: none"> • Horizontal washers do not require the tub to fill with water like top-load washers.
Washer pauses or has to be restarted, or washer door is locked and will not open	Pump clogged	<ul style="list-style-type: none"> • See page 26 on how to clean the Pump Filter.

Problem	Possible Cause	What To Do
Door unlocks or press ▶II and machine doesn't operate	This is normal	<ul style="list-style-type: none"> • Front-load washers start up differently than top-load washers, and it takes 30 seconds to check the system. The door will lock and unlock.
	Incorrect operation	<ul style="list-style-type: none"> • Simply open and close the door firmly; then press ▶II.
Water does not enter washer or enters slowly	Automatic self system checks	<ul style="list-style-type: none"> • After ▶II is pressed, the washer does several system checks. Water will flow 60 seconds after ▶II is pressed.
	Water supply is turned off Water valve screens are stopped up	<ul style="list-style-type: none"> • Turn on water supply. • Turn off the water source and remove the water connection hoses from the upper back of the washer. Use a brush or toothpick to clean the screens in the machine. Reconnect the hose and turn the water back on.
Wrinkling	Improper sorting	<ul style="list-style-type: none"> • Avoid mixing heavy items (like work clothes) with light items (like blouses).
	Overloading	<ul style="list-style-type: none"> • Load your washer so clothes have enough room to move freely.
	Incorrect wash cycle	<ul style="list-style-type: none"> • Match cycle selection to the type of fabric you are washing (especially for easy care loads).
	Repeated washing in water that is too hot	<ul style="list-style-type: none"> • Wash In warm or cold water.

Problem	Possible Cause	What To Do
Grayed or yellowed clothes	Not enough detergent	<ul style="list-style-type: none"> • Use correct amount of detergent.
	Not using HE (high-efficiency) detergent Hard water Detergent is not dissolving Dye transfer	<ul style="list-style-type: none"> • Use HE detergent. • Use hottest water safe for fabric. • Use a water conditioner like Calgon brand or install a water softener. • Try a liquid detergent. • Sort clothes by color. If fabric label states wash separately unstable dyes may be indicated.
Colored spots	Incorrect use of fabric softener Dye transfer	<ul style="list-style-type: none"> • Check fabric softener package for instructions and follow directions for using dispenser. • Sort whites or lightly colored items from dark colors. • Promptly remove wash load from washer.
Slight variation in metallic color	This is normal appearance	<ul style="list-style-type: none"> • Due to the metallic properties of paint used for this unique product, slight variations of color may occur due to viewing angles and lighting conditions.

Problem	Possible Cause	What To Do
Smell inside your washer	Washer unused for a long time, not using recommended quality of HE detergent or used too much detergent	<ul style="list-style-type: none"> • Run a Tub Clean cycle once a month. • In the case of strong smell, you may need to run the Tub Clean cycle more than once a month. • Use only the amount of detergent recommended on the detergent container. • Use only HE (high-efficiency) detergent. • Always remove wet items from the washer promptly after machine stops running. • Leave the door slightly open for the water to air dry. Close supervision is necessary if this appliance is used by or near children. Do not allow children to play on, with or inside this or any other appliance.
Detergent leak	Incorrect placement of detergent insert	Make sure detergent insert is properly located and fully seated. Never put detergent above max line.
Improper dispensing of softener or bleach	<p>Dispenser clogged</p> <p>Softener or bleach is filled above the max line</p> <p>Softener or bleach cap issue</p>	<p>Monthly clean the dispenser drawer to remove buildup of chemicals.</p> <p>Make sure to have the correct amount of softener or bleach.</p> <p>Make sure softener and bleach cap for dispenser are seated or they will not work.</p>

Error Codes

Description	Reason	Solution
E30	Door is not closed properly	Restart after the door is closed. Check if the clothes is stuck.
E10	Water injecting problem While washing	Check if the water pressure is too low. Straighten the water hoses. Check if the inlet valve filter is blocked.
E21	Overtime water draining	Check if the drain hose is blocked, clean drain filter.
E12	Water overflow	Restart the washer.
EXX	Others	Please try again first, call up service line if there are still troubles.



2-YEAR LIMITED WARRANTY

This warranty is provided to the original purchaser at retail (the "Purchaser" or "you") by Midea America (Canada) Corp. ("Midea" or "we"), which warrants all parts of this Product, as described below. Midea warrants this Product to the Purchaser for personal, family or household use. This warranty covers performance and quality issues in materials and workmanship that appear under normal use and maintenance appearing within two years from the date of purchase. This warranty gives you specific rights, and you may also have other rights that vary from state to state.

WARRANTY LIMITATIONS

This warranty is given only to the original purchaser at retail in either the United States or Canada and may not be transferred to any subsequent buyer. This warranty does not apply to purchasers of our products for use or resale in a business; a separate commercial warranty may protect those purchasers.

This warranty does not cover any Product failure caused by:

- (a) Abuse, damage or use of the Product in violation of the Product instructions.
- (b) Modification to any Product or part.
- (c) Failure to maintain the Product or part as described in accordance with the Product instructions.
- (d) Faulty installation or application.
- (e) Use of parts or accessories not compatible with this Product.
- (f) Floods, fires, winds, lightning, accidents, corrosive atmosphere, or other conditions beyond Midea's control.
- (g) Interruption in electrical service or inadequate electrical service.
- (h) Replacement of fuses and replacement or resetting of circuit breakers.
- (i) Frozen or broken water pipes, water damage, moisture intrusion, mold or other biological growth.
- (j) The use, combination or linking of the Product to other products, processes or materials not provided by Midea.

WARRANTY REMEDY

If any quality or performance issue covered by this warranty is discovered during the warranty period, we will, at our option, repair or replace any such Product. This warranty is limited to Product repair or replacement by an authorized Midea servicer or dealer and does not cover any shipping cost, labor cost, customs duties, inland logistics cost, or cost of service, including any diagnostics, removal, transportation, or reinstallation costs. If we ask, you must return the Product to us.

WARRANTY DISCLAIMER; EXCLUSION OF DAMAGES

This is the only express warranty to consumers that we offer on our Products. **ANY IMPLIED WARRANTIES BY MIDEA, INCLUDING BUT NOT LIMITED TO WARRANTIES OF MERCHANTABILITY AND FITNESS FOR PARTICULAR PURPOSE, ARE LIMITED TO THE DURATION OF THIS EXPRESS WARRANTY.** Some states and provinces do not allow the exclusion of express warranties and/or limitations on how long an implied warranty lasts, so the above exclusion and/or limitation may not apply to you.

THE REMEDY DESCRIBED ABOVE IS THE ONLY ONE THAT WE WILL PROVIDE, EITHER UNDER THIS WARRANTY OR UNDER ANY WARRANTY ARISING BY OPERATION OF LAW. WE WILL NOT BE RESPONSIBLE FOR ANY CONSEQUENTIAL OR INCIDENTAL DAMAGES ARISING FROM THE BREACH OF THIS WARRANTY OR ANY OTHER WARRANTY, WHETHER EXPRESS OR IMPLIED, NEGLIGENCE OR OTHER TORT, OR ON ANY STRICT LIABILITY THEORY, INCLUDING BUT NOT LIMITED TO LOST PROFITS. Some states do not allow the exclusion or limitation of incidental or consequential damages, so the above exclusion may not apply to you.



WARRANTY CLAIMS PROCESS

For more information or to make a warranty claim, please visit:

<https://www.midea.com/ca/support>

Or contact us at:

Telephone: 1-888-365-2230

Email: CanadaSupport@midea.com

You must have Your bill of sale, delivery slip, or appropriate proof of purchase to submit a warranty claim. The date of purchase establishes the warranty period, should service be required.

DISPUTE RESOLUTION

ARBITRATION CLAUSE. IMPORTANT. PLEASE REVIEW THIS ARBITRATION CLAUSE. IT AFFECTS YOUR LEGAL RIGHTS.

- (a) *Parties*: This arbitration clause (this "Arbitration Clause") affects your rights against Midea and any of its affiliates or employees or agents, successors, or assigns, all of whom together are referred to below as "we" or "us" for ease of reference.
- (b) **ARBITRATION REQUIREMENT: EXCEPT AS STATED BELOW, ANY DISPUTE BETWEEN YOU AND ANY OF US SHALL BE DECIDED BY NEUTRAL, BINDING ARBITRATION RATHER THAN IN COURT OR BY JURY TRIAL.** "Dispute" will be given the broadest possible meaning allowable by law. It includes any dispute, claim, or controversy arising from or relating to your purchase of this Product, any warranty upon the Product, or the Product's condition. It also includes determination of the scope or applicability of this Arbitration Clause. The arbitration requirement applies to claims in contract and tort, pursuant to statute, or otherwise.
- (c) **CLASS-ARBITRATION WAIVER: ARBITRATION IS HANDLED ON AN INDIVIDUAL BASIS. IF A DISPUTE IS ARBITRATED, YOU AND WE EXPRESSLY WAIVE ANY RIGHT TO PARTICIPATE AS A CLASS REPRESENTATIVE OR CLASS MEMBER ON ANY CLASS CLAIM YOU MAY HAVE AGAINST US OR WE AGAINST YOU, OR AS A PRIVATE ATTORNEY GENERAL OR IN ANY OTHER REPRESENTATIVE CAPACITY, TO THE MAXIMUM EXTENT PERMITTED BY LAW. YOU AND WE ALSO WAIVE ANY RIGHT TO CLASS ARBITRATION OR ANY CONSOLIDATION OF INDIVIDUAL ARBITRATIONS.**
- (d) *Discovery and Other Rights*: Discovery and rights to appeal in arbitration are generally more limited than in a lawsuit. This applies to both you and us. Other rights that you or we would have in court may not be available in arbitration. Please read this Arbitration Clause and consult the rules of the arbitration organizations listed below for more information.
- (e) **SMALL CLAIMS COURT OPTION: YOU MAY CHOOSE TO LITIGATE ANY DISPUTE BETWEEN YOU AND ANY OF US IN SMALL CLAIMS COURT, RATHER THAN IN ARBITRATION, IF THE DISPUTE MEETS ALL REQUIREMENTS TO BE HEARD IN SMALL CLAIMS COURT.**
- (f) *Governing Law*: For residents of the United States, the procedures and effect of the arbitration will be governed by the Federal Arbitration Act (9 U.S.C. § 1 et seq.) rather than by state law concerning arbitration. For residents of Canada, the procedures and effect of the arbitration will be governed by the applicable arbitration law of the province in which you purchased your Product. The law governing your substantive warranty rights and other claims will be the law of the state or province in which you purchased your Product. Any court having jurisdiction may enter judgment on the arbitration award.

- (g) *Rules of the Arbitration:* If the amount in controversy is less than \$250,000, the arbitration will be decided by a single arbitrator. If the amount in controversy is greater than or equal to \$250,000, the arbitration will be decided by a panel of three arbitrators. The arbitrator(s) will be chosen pursuant to the rules of the administering arbitration organization. United States residents may choose JAMS (1920 Main Street, Ste. 300, Irvine, CA 92614, www.jamsadr.com), or, subject to our approval, any other arbitration organization. In addition, Canadian residents may choose the ADR Institute of Canada (234 Eglinton Ave. East, Suite 405, Toronto, Ontario, M4P 1K5, www.amic.org). These organizations' rules can be obtained by contacting the organization or visiting its website. If the chosen arbitration organization's rules conflict with this Arbitration Clause, the provisions of this Arbitration Clause control. The award of the arbitrator(s) shall be final and binding on all parties.
- (h) *Location of the Arbitration Hearing:* Unless applicable law provides otherwise, the arbitration hearing for United States residents will be conducted in the federal judicial district in which you reside (in your hometown area) or, for Canadian residents, in the province in which you reside, and, if you choose, will be in-person.
- (i) *Costs of the Arbitration:* Each party is responsible for its own attorney, expert, and other costs and fees unless applicable law requires otherwise. Notwithstanding the preceding sentence, and unless applicable law requires otherwise, if you are a consumer under the JAMS rules or the rules of another agreed upon arbitration administrator, Midea will pay or reimburse you for all reasonable fees or costs to the extent required by law or the applicable arbitration administrator's rules. Whether or not required by law or such rules, if you prevail at arbitration on any claim against Midea, Midea will reimburse you for any reasonable fees paid to the arbitration administrator in connection with the arbitration proceedings. Under no circumstances will Midea seek from you payment or reimbursement of any reasonable fees that Midea incurs in connection with the arbitration. If you are required to advance any fees or costs to JAMS or other agreed upon arbitration administrator, but you ask Midea to do so in your stead, Midea will consider and respond to your request.
- (j) *Survival and Enforceability of this Arbitration Clause:* This Arbitration Clause shall survive the expiration or termination, or any transfer, of the warranty on your Product. If any part of this Arbitration Clause, except waivers of class-action rights, is found to be unenforceable for any reason, the remainder of this clause and the warranty shall remain enforceable. If, in a case in which class-action allegations have been made, the waiver of class-action rights under this warranty is found to be unenforceable with respect to any part of the dispute, the parts of the dispute as to which the waiver of class-action rights have been found unenforceable will be severed and will proceed in court without reference or application of this Arbitration Clause. Any remaining parts will proceed in arbitration.

QUEBEC RESIDENTS

The arbitration provisions of this warranty shall not apply to residents of Quebec



Laveuse

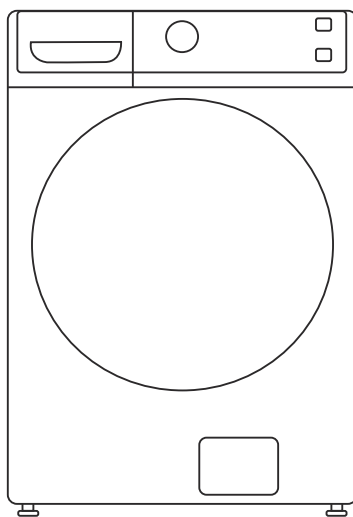
Alimentation électrique : 120V ~

Circuit : dérivation 15 A

Fréquence : 60Hz

Capacité : 5.2 pi³

MANUEL D'UTILISATION ET INSTRUCTIONS D'INSTALLATION



Avertissement :

Avant d'utiliser ce produit, veuillez lire le présent manuel attentivement et le conserver pour consultation ultérieure. La conception et les spécifications peuvent être modifiées sans préavis en vue d'une amélioration du produit. Veuillez communiquer avec votre détaillant ou fabricant pour obtenir plus de détails.

NUMÉROS DE MODÈLE

MLHW 52S6BGG

MLHW 52S7AGG

MLHW 52S7A W W

www.midea/ca

Cher utilisateur

MERCI et FÉLICITATIONS pour l'achat de ce produit Midea de haute qualité. Votre laveuse Midea est conçue pour offrir des performances et une fiabilité exceptionnelles. Veuillez prendre quelques minutes pour enregistrer votre nouvelle laveuse.

Veuillez enregistrer votre nouvelle laveuse sur le site **www.midea.com** sous l'**onglet** Support (Soutien).

Pour référence future, notez votre modèle de produit et les numéros de série, qui se trouvent dans le châssis intérieur de la laveuse.

Numéro de modèle _____

Numéro de série _____

SÉCURITÉ DES LAVEUSE	3
Installation appropriée	5
Lorsque l'appareil n'est pas utilisé.....	5
EXIGENCES DE FONCTIONNEMENT	6
Emplacement de votre laveuse	6
Exigences électriques	6
Exigences relatives à l'alimentation en eau	7
Exigences de drainage	7
INSTRUCTIONS D'INSTALLATION	8
Avant de commencer.....	8
Outils requis.....	8
Pièces requises (obtenir localement)	9
Pièces fournies.....	9
Dimensions brutes	9
Déballage de la laveuse.....	10
Installation de la laveuse	11
UTILISATION DE LA LAVEUSE.....	13
Panneau de commande	13
Caractéristiques	20
Chargement et utilisation de la laveuse	23

ENTRETIEN DE LA LAVEUSE	24
Nettoyage	24
Déménagement, entreposage et longues vacances	28
DÉPANNAGE	29
Conseils de dépannage	29
Codes d'erreurs	36
GARANTIE	37

SÉCURITÉ DES LAVEUSES

Votre sécurité et la sécurité des autres sont très importantes

Pour éviter que les utilisateurs ou d'autres personnes se blessent ou pour prévenir les dommages matériels, les instructions contenues dans le présent document doivent être respectées. Une mauvaise utilisation en raison du non-respect des instructions pourrait causer des dommages ou autres préjudices, voire un décès.

Le niveau de risque est indiqué par les symboles suivants.



AVERTISSEMENT

Ce symbole indique un risque de blessure grave ou mortelle.



MISE EN GARDE

Ce symbole indique un risque de blessure ou de dommage matériel.



AVERTISSEMENT

Ce symbole indique la présence potentielle d'une tension dangereuse constituant un risque de décharge électrique qui pourrait entraîner la mort ou des blessures graves.

INSTRUCTIONS DE SÉCURITÉ IMPORTANTES

AVERTISSEMENT

Pour réduire le risque de décès, d'incendie, de décharge électrique ou de blessure lors de l'utilisation de votre appareil vfd, suivez les précautions de base, y compris ce qui suit :

- Lisez le manuel d'instruction avant d'utiliser l'appareil.
- Ne lavez PAS et ne séchez PAS d'articles qui ont été préalablement nettoyés, lavés, trempés ou tachés avec de l'essence, du solvant pour nettoyage à sec ou d'autres produits combustibles ou substances explosives, car les vapeurs qui s'en dégagent pourraient s'enflammer ou exploser.
- N'ajoutez PAS d'essence, de solvants de nettoyage à sec ou d'autres substances inflammables ou explosives à l'eau de lavage. Ces substances dégagent des vapeurs qui pourraient s'enflammer ou exploser.
- Dans certaines conditions, de l'hydrogène gazeux pourrait s'accumuler dans un système d'eau chaude qui n'a pas été utilisé depuis 2 semaines ou plus. **LE GAZ HYDROGÈNE EST EXPLOSIF.** Si le système d'eau chaude n'a pas été utilisé pendant une telle période, avant d'utiliser la laveuse, ouvrez tous les robinets d'eau chaude et laissez l'eau s'écouler par chacun des robinets pendant plusieurs minutes. Ceci permettra de purger tout gaz hydrogène accumulé. Puisque le gaz est inflammable, **NE FUMEZ PAS** et n'utilisez pas une flamme nue pendant cette période.
- Ne laissez PAS les enfants jouer sur ou à l'intérieur de l'appareil. La présence d'enfants près de cet appareil lorsqu'il est en marche doit faire l'objet d'une étroite supervision. Avant de mettre la laveuse hors service ou au rebut, retirez le couvercle ou la porte du compartiment de lavage. Le non-respect de ces consignes pourrait entraîner de graves blessures, voire la mort.
- **NE PAS** toucher l'intérieur de l'appareil si le tambour ou d'autres composants se déplacent pour éviter tout enchevêtrement accidentel.
- N'installez PAS ou ne rangez PAS cet appareil dans un endroit où il sera exposé aux intempéries.
- Vous ne devez PAS modifier, réparer ou remplacer une pièce de l'appareil, quelle qu'elle soit, et ne devez PAS tenter d'effectuer un entretien à moins que cela ne soit spécifiquement recommandé dans des instructions d'entretien ou des guides de réparation destinés à l'utilisateur, seulement si vous les comprenez et êtes à même d'effectuer les réparations.
- Gardez la zone autour de votre appareil propre et sèche pour réduire la possibilité de glisser.
- Ne faites PAS fonctionner cet appareil s'il est endommagé, défectueux, partiellement démonté ou que des pièces manquent ou soient endommagées, notamment un cordon ou une fiche endommagée.

Sécurité de la laveuse
Exigences de fonctionnement
Instructions d'installation
Utilisation de la laveuse
Entretien de la laveuse
Dépannage

- Débranchez l'appareil ou coupez le courant au disjoncteur avant de procéder à un entretien. Appuyer sur le bouton d'alimentation NE COUPE PAS le courant.
- Consultez les « Exigences électriques » dans les instructions d'installation pour connaître les instructions de mise à la terre. Cet appareil n'a pas été conçu pour être utilisé par des personnes (y compris les enfants) ayant des capacités physiques, sensorielles ou mentales réduites ou manquant d'expérience et de connaissances, à moins qu'elles ne soient supervisées ou qu'elles aient été renseignées sur l'utilisation de l'appareil par une personne responsable de leur sécurité. Les jeunes enfants doivent être supervisés afin de s'assurer qu'ils ne jouent pas avec l'appareil.
- Pour éviter tout danger, si le cordon d'alimentation est endommagé, il doit être remplacé par le fabricant, un de ses agents de service ou toute autre personne ayant les qualifications similaires.
- Vous devez utiliser des ensembles de tuyaux neufs provenant du détaillant où le produit a été acheté et aucun ensemble d'anciens tuyaux ne doit être réutilisé.
- Cet appareil est destiné à un usage intérieur seulement.

CONSERVEZ CES INSTRUCTIONS

Installation adéquate

- Cette laveuse doit être correctement installée et disposée conformément aux instructions d'installation avant d'être utilisée. Assurez-vous que le tuyau d'eau froide est connecté à la vanne « C ».
- Installez ou entreposez dans un endroit où il ne sera pas exposé à des températures inférieures au point de congélation ou aux intempéries, ce qui pourrait causer des dommages permanents et invalider la garantie. Effectuer une mise à la terre de la laveuse conforme à tous les codes et ordonnances en vigueur. Se conformer aux détails des instructions d'installation.



AVERTISSEMENT

Risque de décharge électrique



- Brancher dans une prise à 3 broches avec mise à la terre.
- Ne pas retirer la broche de mise à la terre.
- Ne pas utiliser d'adaptateur.
- Ne pas utiliser de rallonge
- Le non-respect de cette consigne pourrait entraîner un incendie, une décharge électrique, voire le décès.

Lorsque l'appareil n'est pas utilisé

Fermer les robinets d'eau pour minimiser les fuites en cas de rupture ou de bris. Vérifier l'état des tuyaux de remplissage; nous recommandons de les changer tous les 5 ans.

Avvertissements relatifs à la proposition 65 de l'état de la Californie :



AVERTISSEMENT : Peut causer le cancer et des effets nocifs sur la reproduction
-www.P65Warnings.ca.gov.

CONSERVEZ CES INSTRUCTIONS

CET APPAREIL EST DESTINÉ À UN USAGE DOMESTIQUE SEULEMENT

EXIGENCES DE FONCTIONNEMENT

Emplacement de votre laveuse

N'installez pas la laveuse :

1. Dans une zone exposée à des projections d'eau ou à des conditions météorologiques extérieures. La température ambiante ne doit jamais être inférieure à 15,6 °C (60 °F) pour un fonctionnement adéquat de la laveuse.
2. Dans une zone où elle pourrait être en contact avec des rideaux.
3. Sur un tapis. Le plancher DOIT être une surface dure avec une pente maximale de 1,27 cm par 30 cm (1/2 po par pied). Pour vous assurer que la laveuse ne vibre pas et ne bouge pas, vous devrez peut-être renforcer le plancher.

REMARQUE : Si le plancher est en mauvais état, utilisez une feuille de contreplaqué imprégnée de 19 mm (3/4po) solidement fixée au revêtement de sol existant.

IMPORTANT : DÉGAGEMENT MINIMUM D'INSTALLATION

- Lorsque l'appareil est installé dans une alcôve: Dessus et côtés = 0cm (0 po), arrière = 7,6cm (3 po)
- Lorsqu'il est installé dans un placard : Dessus et côtés = 0cm (0 po), Avant = 5cm (2 po), Arrière = 7,6cm (3 po)
- Ouvertures de ventilation de porte de placard requises : 2 persiennes de 387 cm (60 po), situées à 7,6 cm (3 po) du haut et du bas de la porte

Exigences électriques

Lisez attentivement et complètement ces instructions.



AVERTISSEMENT

POUR RÉDUIRE LE RISQUE D'INCENDIE, D'ÉLECTROCUTION ET DE BLESSURE :

- **N'UTILISEZ PAS DE RALLONGE OU DE FICHE D'ADAPTATEUR AVEC CET APPAREIL. La laveuse doit être mise à la terre conformément aux codes et ordonnances locaux.**

CIRCUIT - Circuit de dérivation de 16 A individuel, correctement polarisé et mis à la terre avec fusible temporisé ou disjoncteur de 16 A.

ALIMENTATION - 2 fils avec mise à la terre, 120 V, monophasé, 60 Hz, courant alternatif.

PRISE DE SORTIE - Prise correctement mise à la terre et installée de sorte que le cordon d'alimentation soit accessible lorsque la laveuse est en position installée.



EXIGENCES RELATIVES À LA MISE À LA TERRE

Le raccordement inadéquat du conducteur de mise à la terre de cet appareil peut entraîner un risque de décharge électrique. Communiquez avec un électricien agréé si vous n'êtes pas certain que l'appareil soit correctement mis à la terre.

1. La laveuse DOIT être mise à la terre. En cas de dysfonctionnement ou de panne, la mise à la terre réduira les risques d'électrocution en offrant un trajet de moindre résistance au courant électrique.
2. Si votre laveuse est équipée d'un câble doté d'un conducteur de mise à la terre et d'une fiche de mise à la terre, la fiche DOIT être branchée dans une prise appropriée avec fils de cuivre qui est installée et mise à la terre conformément à tous les codes et règlements locaux. En cas de doute, appelez un électricien agréé. NE PAS couper ou modifier la broche de mise à la terre du cordon d'alimentation. Dans les situations où une prise à deux fentes est présente, il incombe au propriétaire de demander à un électricien agréé de la remplacer par une prise comportant une mise à la terre appropriée.

Exigences relatives à l'alimentation en eau

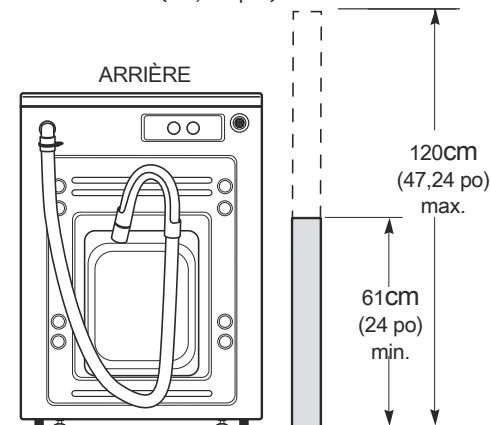
Les robinets d'eau chaude et froide DOIVENT être installés à moins de 107cm (42 po) de l'entrée d'eau de votre laveuse. Les robinets DOIVENT être de type tuyau d'arrosage de 1,9cm (3/4 po) afin que les tuyaux d'entrée puissent être connectés. La pression d'eau DOIT être comprise entre 10 et 120 psi. Votre service d'eau peut vous informer de la pression de votre eau.

Exigences de drainage

1. Drain capable d'éliminer 64,3 l par minute.
2. Un diamètre de tuyau d'alimentation d'au moins 3,18cm (1 1/4 po).
3. La hauteur du tuyau d'alimentation au-dessus du plancher doit être :

Hauteur minimale : 61cm (24 po)

Hauteur maximale : 120cm (47,24 po)



INSTRUCTIONS D'INSTALLATION

Avant de commencer

Lisez attentivement et complètement ces instructions.

- **IMPORTANT** - Conservez ces instructions pour utilisation par l'inspecteur local.
- **IMPORTANT** - Respectez tous les codes et les ordonnances en vigueur.
- **Note à l'installateur** - Assurez-vous de laisser ces instructions au consommateur.
- **Note au consommateur** - Conservez ces instructions pour référence ultérieure.
- **Niveau de compétence** - L'installation de cet appareil nécessite des compétences mécaniques et électriques de base.
- **Temps de réalisation** : 1 à 3 heures.
- L'installateur est responsable de l'installation adéquate.
- La défaillance du produit en raison d'une mauvaise installation n'est pas couverte par la garantie.

Pour votre sécurité :



AVERTISSEMENT

- Cet appareil doit être correctement mis à la terre et installé comme décrit dans ces Instructions d'installation.
- N'installez pas ou ne rangez pas l'appareil dans un endroit où il serait exposé à l'eau ou aux intempéries. Voir la section Emplacement de votre laveuse.
- **REMARQUE:** Cet appareil doit être correctement mis à la terre et l'alimentation électrique adéquatement acheminée vers la laveuse.
- Certaines pièces internes ne sont pas mises à la terre délibérément et peuvent présenter un risque de décharge électrique seulement pendant l'entretien. Personnel d'entretien - Ne pas toucher les pièces suivantes lorsque l'appareil est sous tension : Soupape électrique, pompe de vidange, réchauffeur et moteur.

Outils requis

- Clé à molette ou douille de 12,7mm (1/2 po) avec cliquet
- Clé à molette ou clé à fourche de 14,29mm 9/16 po
- Pince multiprise réglable
- Niveau de charpentier

Pièces requises (obtenir localement)

Tuyau d'eau (2)

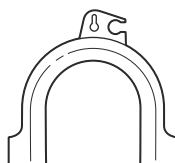


Pièces fournies

Attache-câble



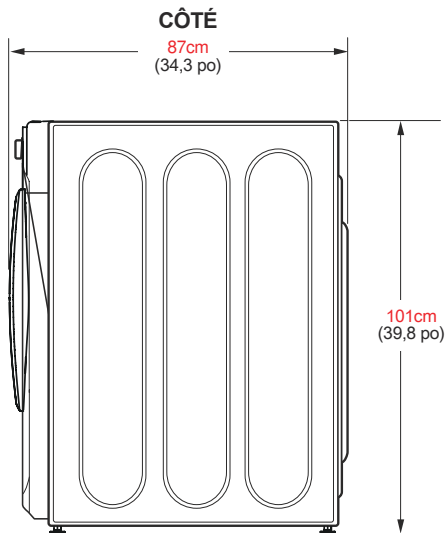
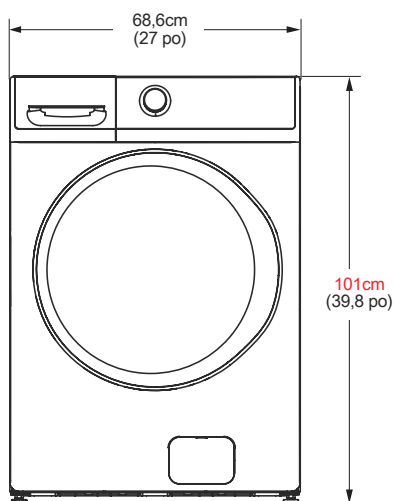
Guide pour le tuyau de vidange



Rondelle à crépine de tuyau d'entrée (2)



Dimensions brutes



*REMARQUE : Avec piédestal,
133,6cm empilé,
213,4cm

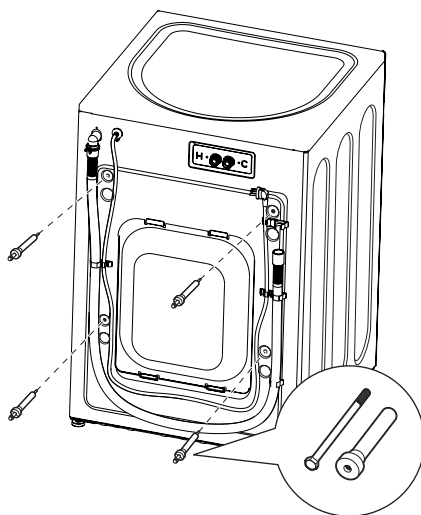
Déballage de la laveuse

AVERTISSEMENT :

- Recyclez ou détruisez la boîte et les sacs en plastique après le déballage de la laveuse. Rendre les matériaux inaccessibles aux enfants. Les enfants pourraient les utiliser pour jouer. Les cartons recouverts de tapis, de couvre-lits ou de draps en plastique peuvent devenir des chambres étanches à l'air, causant une suffocation.
1. Coupez et retirez la bande du dessus et du dessous de l'emballage.
 2. Alors qu'elle est dans la boîte de carton, couchez délicatement la laveuse sur son côté. NE PAS coucher la laveuse sur son devant ou son derrière.
 3. Tournez les rabats inférieurs vers le bas – retirez tous les emballages de la base, y compris le carton, la base en mousse de polystyrène et le support de cuve en mousse de polystyrène (inséré au centre de la base).

REMARQUE : Si vous installez un piédestal, suivez les instructions d'installation fournies avec le piédestal.

4. Remettez soigneusement la laveuse en position verticale et retirez la boîte.
5. Déplacez soigneusement la laveuse à moins de 122 cm (4 pi) de l'emplacement final.
6. Retirez ce qui suit de l'arrière de la laveuse :
 - 4 boulons
 - 4 entretoises en plastique (y compris les œillets en caoutchouc)
 - 4 dispositifs de retenue du cordon d'alimentation



IMPORTANT : Le fait de ne pas retirer les boulons d'expédition* peut entraîner un déséquilibre important de la laveuse.

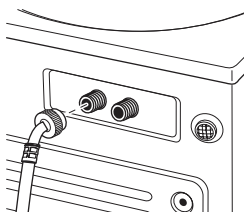
Conserver tous les boulons pour une utilisation ultérieure.

* Tout dommage causé par le défaut de retirer les boulons d'expédition n'est pas couvert par la garantie.

REMARQUE : Si vous devez transporter la laveuse à une date ultérieure, vous devez réinstaller le matériel de support d'expédition pour éviter tout dommage pendant le transport. Conservez la quincaillerie dans le sac en plastique fourni.

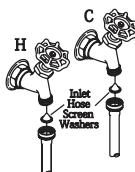
Installation de la laveuse

1. Faites couler de l'eau du robinet d'eau froide pour rincer les conduites et éliminer les particules qui pourraient obstruer le tuyau d'entrée d'eau.
2. Assurez-vous qu'une rondelle en caoutchouc est présente dans les tuyaux. Réinstallez la rondelle en caoutchouc dans le raccord de tuyau si elle est tombée pendant l'expédition. Raccordez soigneusement le tuyau d'entrée marqué « CHAUD » à l'entrée arrière « H » du robinet d'eau. Serrez à la main, puis serrez de 2/3 de tour de plus avec des pinces. Et FROID à l'entrée arrière « C » du robinet d'eau. Serrer à la main, puis serrer d'un 2/3 de tour supplémentaire à l'aide d'une pince.



Ne pas fausser les filets ou trop serrer ces connexions.

3. Installez les rondelles à crépine en les insérant dans les extrémités libres des tuyaux d'entrée avec le côté saillant face au robinet.
4. Raccordez fermement les extrémités du tuyau d'entrée aux robinets d'eau CHAUDE (H) et d'eau FROIDE (C), puis serrez d'un 2/3 de tour supplémentaire à l'aide d'une pince. Ouvrir l'eau et vérifier s'il y a des fuites.



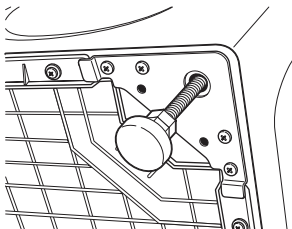
5. Déplacer avec précaution la laveuse à son emplacement final. Placer délicatement la laveuse dans son emplacement définitif, en veillant à ce que les tuyaux d'entrée ne soient pas pliés. Il est important de ne pas endommager les pieds de mise à niveau en caoutchouc lorsque vous déplacez votre laveuse à son emplacement final. Les pieds endommagés peuvent augmenter la vibration de la laveuse. Il peut être utile de vaporiser du nettoyant pour fenêtres sur le plancher pour aider à déplacer votre laveuse dans sa position finale.

REMARQUE : Pour réduire les vibrations, assurez-vous que les quatre pieds de mise à niveau en caoutchouc touchent fermement le sol. Poussez et tirez sur l'arrière à droite de votre laveuse, puis poussez à gauche.

REMARQUE : N'utilisez pas le tiroir du distributeur ou la porte pour soulever la laveuse.

REMARQUE : Si vous installez l'appareil dans un bac de récupération, vous pouvez utiliser un 2x4 de 60 cm (24 po) de long pour mettre la laveuse en place.

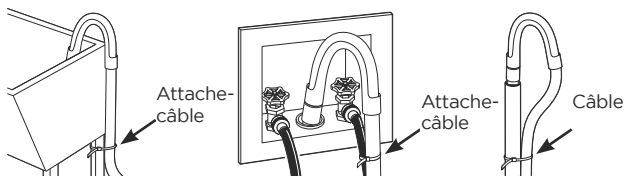
- Une fois la laveuse dans sa position finale, placez un niveau sur le dessus de la laveuse (si la laveuse est installée sous un comptoir, elle ne devrait pas pouvoir se balancer). Ajustez les pieds de mise à niveau avant vers le haut ou vers le bas pour vous assurer que la laveuse repose solidement sur le sol. Tournez les contre-écrous de chaque pied vers le haut, vers la base de la laveuse, et serrez-les à l'aide d'une clé.



REMARQUE : Gardez l'extension du pied au minimum pour éviter les vibrations excessives. Plus les pieds sont sortis, plus la laveuse vibrera.

Si le plancher n'est pas de niveau ou est endommagé, vous devrez peut-être étendre les pieds de mise à niveau arrière.

- Fixer le guide de tuyau en forme de U à l'extrémité du tuyau de vidange. Placez le tuyau dans une cuve à lessive ou un tuyau d'alimentation et fixez-le avec l'attache de câble fournie dans l'emballage du boîtier.



REMARQUE : Placer le tuyau de vidange trop loin dans le tuyau de vidange peut provoquer un siphonnage. Pas plus de 17,78 cm (7 po) de tuyau dans le tuyau de vidange. Un espace d'air doit être présent autour du tuyau de vidange. Un ajustement serré peut également provoquer un siphonnage.

- Branchez le cordon d'alimentation à la prise murale.

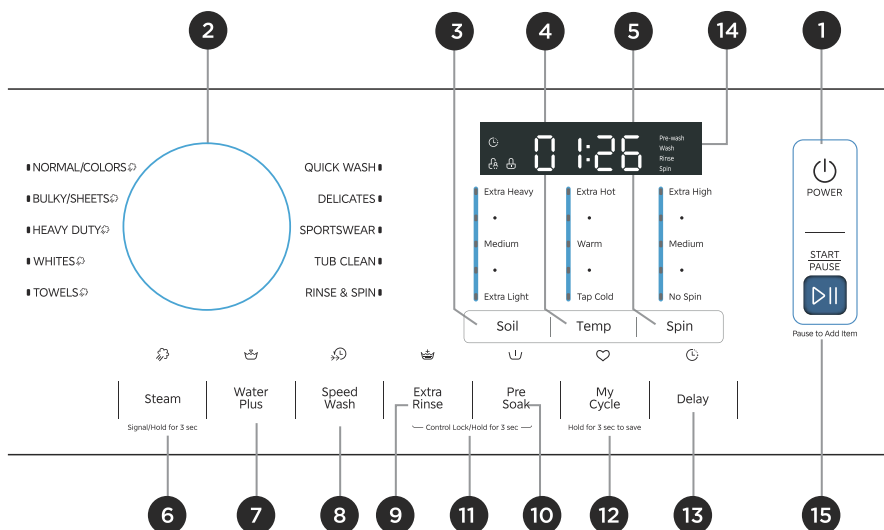
REMARQUE : Assurez-vous que l'alimentation est coupée au niveau du disjoncteur/de la boîte de fusibles avant de brancher le cordon d'alimentation dans une prise.

- Mettez le disjoncteur/la boîte à fusibles sous tension.
- Lisez le reste de ce manuel du propriétaire. Il contient des renseignements précieux et utiles qui vous feront économiser temps et argent.
- Avant de démarrer la laveuse, vérifiez que :
 - L'alimentation principale est activée.
 - La laveuse est branchée.

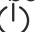
- Les robinets d'eau sont ouverts.
 - L'appareil est de niveau et les quatre pieds de mise à niveau s'appuient fermement sur le plancher.
 - Le matériel de soutien d'expédition est retiré et mis de côté.
 - Le tuyau de vidange est correctement attaché.
- Faites fonctionner la laveuse pendant un cycle complet.
 - Si votre laveuse ne fonctionne pas, veuillez consulter la section « Avant de faire appel au service » avant d'appeler le service de réparation.
 - Placez ces instructions dans un endroit situé près de la laveuse pour référence ultérieure.

UTILISATION DE LA LAVEUSE


Panneau de commande

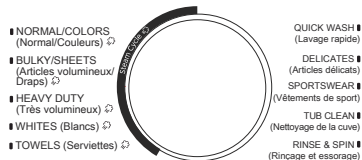


Démarrage rapide

- 1 Appuyez sur le bouton Power (Marche-Arrêt ).

Si l'écran est sombre, une pression du bouton d'alimentation « éveillera » l'écran.

- 2 Sélectionnez un cycle de lavage. (Les valeurs par défaut sont définies pour chaque cycle. Ces paramètres par défaut peuvent être modifiés. Consultez la section Réglages pour plus d'informations).
- 3 Appuyez sur le bouton Start/Pause (Mise en marche/Pause ).





REMARQUE :

1 : La machine verrouillera la porte et le tambour commencera à tourner; la porte sera déverrouillée, puis verrouillée à nouveau en tant que phase de préparation de chaque cycle de lavage. Le bruit de « cliquetis » fait partie du mécanisme de verrouillage de la porte. L'eau entrera dans le tambour et commencera la phase de lavage une fois la porte verrouillée.

2 : Avant de laver, assurez-vous que la machine est installée correctement.

3 : Votre appareil a été soigneusement vérifié avant de quitter l'usine. Pour éliminer toute eau résiduelle et neutraliser les odeurs potentielles, il est recommandé de nettoyer votre appareil avant la première utilisation. Pour ce faire, lancez le programme Tub Clean (nettoyage de la cuve) sans lessive ni détergent.

Réglage de commande

- 1 **Power (Alimentation)**
Appuyez sur  pour « réveiller » l'écran. Si l'écran est actif, appuyez sur  pour mettre la laveuse en mode veille.

REMARQUE : Appuyer sur le bouton d'alimentation ne débranche pas cet appareil de l'alimentation.

2 Cycles de lavage

Les cycles de lavage sont optimisés pour certains types de brassées de lavage. Le tableau ci-dessous vous aidera à faire correspondre le réglage aux brassées de lavage.

NORMAL/ COLORS (Normal/ Couleurs)	Pour les cotons aux couleurs résistantes, les linges de table, les vêtements de travail et de jeu peu sales ou très sales. REMARQUE : Il s'agit du cycle le plus courant.
BULKY/ SHEETS (Articles volumineux/ Draps)	Pour les gros articles tels que les douillettes, les couvertures, les petits tapis et les articles volumineux similaires.
HEAVY DUTY (Très volumineux)	Pour laver les vêtements de grande taille et volumineux, comme les pardessus ou les serviettes.
WHITES (Blancs)	Pour la lessive blanche, les vêtements de travail et les vêtements de jeu blancs, peu sales ou très sales.
TOWELS (Serviettes)	Pour les articles comme les serviettes, les draps, les taies d'oreiller et les linges à vaisselle.
QUICK WASH (Lavage rapide)	Pour les articles légèrement sales qui doivent être lavés rapidement. La durée du cycle est d'environ 26 minutes, selon les options sélectionnées.
DELICATES (Articles délicats)	Pour les textiles délicats et lavables, p. ex., faits de soie, de satin, de fibres synthétiques ou de tissus mélangés.
SPORTSWEAR (Vêtements de sport)	Ce programme est conçu pour laver les vêtements de sport.
TUB CLEAN (Nettoyage de la cuve)	Utiliser pour enlever les résidus et les odeurs du panier. Utilisation recommandée d'au moins une fois par mois. REMARQUE : Ne chargez jamais le blanc à lessive avec le détergent à lessive Tub Clean. La lessive peut être endommagée. Voir la section d'entretien et de nettoyage.
RINSE & SPIN (Rinçage et essorage)	Pour rincer et essorer rapidement tous les articles à tout moment.

3 SOIL LEVEL (Niveau de saleté)

Changez le niveau de saleté pour augmenter ou diminuer le temps de lavage et ainsi éliminer différentes quantités de saleté.

Pour modifier le niveau de saleté, appuyez sur le bouton Soil Level (niveau de saleté) jusqu'à ce que vous ayez atteint le réglage désiré. Vous pouvez choisir entre les niveaux de saleté Extra Light (Très léger), Light (Léger), Medium (Moyen), Heavy (Sale) ou Extra Heavy (Très sale).

4 WASH TEMP (température de lavage)

Ajustez pour sélectionner la bonne température de l'eau principale pour le cycle de lavage. L'eau pour le PreWash (Prélavage) et Rinse (Rinçage) est toujours froide pour aider à réduire la consommation d'énergie et le durcissement des taches et le froissement.

Pour modifier la température de lavage, appuyez sur le bouton Wash Temp (Température de lavage) jusqu'à ce que vous ayez atteint le réglage souhaité.

Vous pouvez choisir entre Tap Cold (Eau froide du robinet), Cold (Froide) Eco Warm (Tiède écologique) Warm (tiède) ou Hot (chaude).

Suivez l'étiquette d'entretien du fabricant du tissu lorsque vous sélectionnez la température de lavage.

Selon la conception, pour protéger les tissus, toutes les températures de lavage ne sont pas disponibles pour certains cycles de lavage.

5 SPIN SPEED (Vitesse d'essorage)

La modification de la vitesse d'essorage modifie la vitesse d'essorage finale des cycles. Suivez toujours l'étiquette d'entretien du fabricant du vêtement lors du changement de la vitesse d'essorage.

Pour modifier la vitesse d'essorage, appuyez sur le bouton de vitesse d'essorage jusqu'à ce que vous ayez atteint le réglage désiré. Vous pouvez choisir entre No Spin (Aucun essorage), Low (Basse), Medium (Moyenne), High (Élevée) ou Extra High (Très élevée). Des vitesses d'essorage plus élevées ne sont pas disponibles sur certains cycles, comme les cycles Delicates (Articles délicats). Des vitesses d'essorage plus élevées retirent plus d'eau des vêtements et aideront à réduire le temps de séchage, mais peuvent également augmenter la possibilité de froissement de certains tissus.

6 STEAM/ Vapeur

Signal/Hold for 3 sec /
Signal/maintenir enfoncé
pendant 3 secondes

Ce cycle ajoute de la vapeur dans la laveuse pour aider à déloger les taches sur les cycles NORMAL/COULEURS, VOLUMINEUX/DRAPS, TRÈS VOLUMINEUX, BLANCS ou SERVIETTES.

Maintenez le bouton enfoncé pendant 3 secondes pour activer ou désactiver le signal pour tous les tours de bouton et les pressions de bouton.

Utilisation :

1. Mettez l'appareil sous tension et sélectionnez un cycle de lavage.
2. Sélectionnez le bouton Steam (Vapeur) pour activer la vapeur.
3. Appuyez sur le **▶▶** bouton.

7 WATER PLUS (Plus d'eau)

Augmente le niveau d'eau du lavage principal.

L'option est offerte sur les cycles BULKY/SHEETS (volumineux/draps), HEAVY DUTY (Très volumineux), WHITES (Blancs), TOWELS (Serviettes), SPORTSWEAR (Vêtements de sport) DELICATES (Articles délicats).

Utilisation :

1. Mettez l'appareil sous tension et sélectionnez un cycle de lavage.
2. Sélectionnez le bouton Water Plus pour activer la fonction Plus d'eau.
3. Appuyez sur le **▶▶** bouton.

8 SPEED WASH (Lavage rapide)

Cette option réduit la durée globale du cycle de lavage en optimisant les actions de lavage, de rinçage et d'essorage et/ou en augmentant légèrement la température de lavage, afin que les vêtements soient nettoyés plus rapidement. L'option est offerte sur les cycles NORMAL (Normal)/COLORS (Couleurs), BULKY (Volumineux)/SHEETS (Draps), HEAVY DUTY (Très volumineux), WHITES (Blancs), TOWELS (Serviettes), SPORTSWEAR (Vêtements de sport).

Le temps de lavage total variera selon le cycle choisi et les options sélectionnées.

Utilisation :

1. Mettez sous tension et sélectionnez un cycle de lavage avec le Speed Wash (lavage rapide) en option.
2. Effectuez les réglages souhaités Soil (Saleté), Temp. (Température) et Spin (Essorage).
3. Appuyez sur le bouton Speed Wash (Lavage rapide) pour réduire le temps de lavage global.
4. Appuyez sur le **▶▶** bouton.

9 EXTRA RINSE (Rinçage supplémentaire)

Cette option permet un rinçage supplémentaire pendant un cycle pour éliminer l'excès de saleté et de détergent des brassées sales.

10 PRE SOAK (Prétrempage)

Pour faire tremper vos vêtements avant le cycle de lavage. Cette option démarre par un bref culbutage, puis commence à faire tremper les vêtements avec de l'eau et du détergent pendant une période spécifiée. Une fois terminé, le cycle commence automatiquement. Le prétrempage doit être sélectionné avant d'appuyer sur le **▶▶▶** bouton.

Le temps de prétrempage ajoutera de 20 à 30 minutes supplémentaires au temps de lavage global. Le détergent haute efficacité du compartiment de lavage principal du distributeur est utilisé pour la période de prétrempage et le cycle de lavage principal.

11 RINÇAGE SUPPLÉ- MENTAIRE ET PRÉTREMPAGE

Control Lock (Verrouillage de commande)/Hold for 3 sec (Maintenir enfoncé pendant 3 secondes)

Vous pouvez verrouiller les commandes pour empêcher toute sélection. Ou vous pouvez verrouiller ou déverrouiller les commandes après avoir commencé un cycle.

Lorsque cette option est sélectionnée, les enfants ne peuvent pas démarrer accidentellement la laveuse en touchant les boutons.

Pour verrouiller la laveuse, appuyez sur les boutons Extra Rinse (Rinçage supplémentaire) et Pre Soak (prétrempage), puis maintenez-les enfoncés pendant 3 secondes.

Pour déverrouiller les commandes de la laveuse, appuyez sur les boutons Extra Rinse (Rinçage supplémentaire) et Pre Soak (Prétrempage), puis maintenez-les enfoncés pendant 3 secondes.

REMARQUE : Le bouton d'alimentation peut toujours être utilisé même lorsque la machine est verrouillée.

12 MY CYCLE (Mon cycle)

Hold for 3 sec to save / Maintenir enfoncé pendant 3 secondes pour sauvegarder

Pour enregistrer un cycle favori, réglez le réglage désiré pour le cycle de lavage, le niveau de saleté, la vitesse d'essorage et les réglages de température de lavage, puis maintenez le bouton My Cycle (Mon cycle) enfoncé pendant 3 secondes. Un bip retentira pour indiquer que le cycle a été enregistré.

Pour utiliser votre cycle personnalisé, appuyez sur le bouton My Cycle (Mon cycle) avant de laver une brassée.

Pour modifier le cycle enregistré, réglez le réglage désiré et maintenez le bouton My Cycle (Mon cycle) enfoncé pendant 3 secondes.

REMARQUE : Lorsque vous utilisez My Cycle (Mon cycle), les options de lavage ne peuvent pas être modifiées après le début du cycle.

REMARQUE : Si vous modifiez les options de lavage avec My Cycle (Mon cycle) avant de commencer le cycle, le voyant My Cycle (Mon cycle) s'éteindra et vous reviendrez au cycle de base.

13 DELAY (Mise en marche différée)

Vous pouvez retarder le début d'un cycle de lavage jusqu'à 24 heures. Appuyez sur le bouton Delay (Mise en marche différée du lavage)

pour choisir la durée pendant laquelle vous souhaitez retarder le début du cycle de lavage. Une fois l'heure désirée obtenue, appuyez sur le bouton >11. La machine comptera à rebours et démarrera automatiquement au moment prévu.

REMARQUE : Si vous oubliez de fermer la porte, vous entendrez un double bip lorsque vous appuyez sur le bouton pause/ajout de vêtement.

14 Écran

Affiche le temps restant approximatif jusqu'à la fin du cycle.

REMARQUE : La durée du cycle est affectée par la pression de l'eau dans votre maison et le reste de la charge dans la laveuse. Vous verrez peut-être le temps restant sur l'écran augmenter pour permettre une vitesse d'essorage plus lente afin de gérer les situations de déséquilibre de charge.



L'état du cycle est également affiché et certaines fonctions telles que le Delay Wash (Lavage différé) ou Child Lock (Verrouillage enfant) sont affichées pour indiquer qu'elles ont été sélectionnées.

A Écran

Temps de lavage Mise en marche différée
125 2H
End Error (Fin Erreur)
End E30

B Remain-Delay (Maintien-Différé)

C Child Lock (Verrouillage enfant)

D Door Lock (Verrouillage porte)

15 PAUSE Ajouter un vêtement

Start/Pause (Mise en marche/ Pause)

Appuyez ►|| pour démarrer un cycle de lavage. Si la laveuse fonctionne, appuyez une fois pour la mettre en pause. Appuyez de nouveau pour redémarrer le cycle de lavage.

Ajouter un vêtement Si vous souhaitez ajouter un vêtement, veuillez appuyer sur le ►|| bouton.

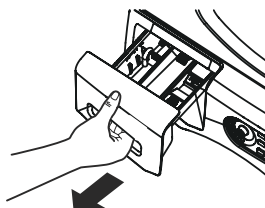
La laveuse déverrouillera la porte. Appuyez de nouveau pour redémarrer le cycle.

Remarque : Lorsque vous utilisez la fonction ajouter un vêtement, après avoir appuyé sur ►, la porte de la machine est toujours verrouillée, généralement en raison du niveau d'eau excédent le bord de la cuve intérieure ou de la température plus élevée

Caractéristiques

Tiroir du distributeur

Ouvrez lentement le tiroir du distributeur en le tirant vers l'extérieur jusqu'à ce qu'il s'arrête. Après avoir ajouté des produits de lessive, fermez lentement le tiroir du distributeur. Fermer le tiroir trop rapidement pourrait entraîner une distribution précoce de javellisant, d'assouplissant textile ou de détergent.



Vous pourriez voir de l'eau dans le tiroir du distributeur à la fin du cycle. Ceci est le résultat de l'action de rinçage/siphonnage et fait partie du fonctionnement normal de la laveuse.

REMARQUE : Le détergent liquide s'écoulera dans le tambour de la laveuse au fur et à mesure qu'il sera ajouté.

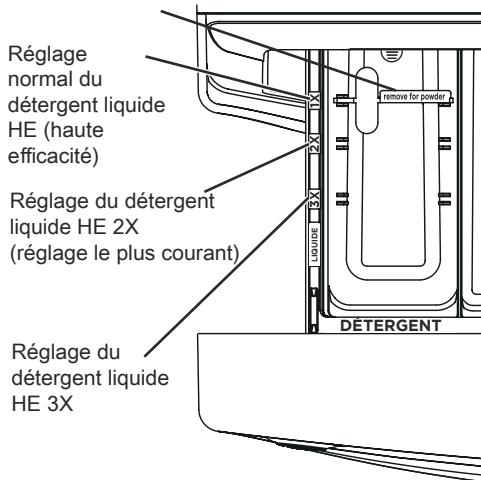
- L'utilisation du détergent peut devoir être ajustée en fonction de la température de l'eau, de la dureté de l'eau, de la taille et du niveau de saleté de la charge. Évitez d'utiliser trop de détergent dans votre laveuse, car cela peut entraîner une formation excessive de mousse et laisser des résidus de détergent sur les vêtements.

Le compartiment de détergent.

- Un détergent à haut rendement est requis pour cette laveuse. Utilisez la quantité recommandée par le fabricant du détergent.
- Ajoutez le détergent mesuré dans le compartiment de détergent avant gauche du tiroir du distributeur.



Retirez pour ajouter le détergent en poudre

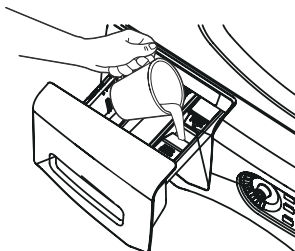


- Le détergent est rincé du distributeur au début du cycle de lavage. Vous pouvez utiliser du détergent en poudre ou liquide.
- Détergent en poudre – Retirez l’encart de sélection du détergent et placez-le dans un endroit sécuritaire à l’extérieur de la laveuse. Suivez les instructions du fabricant du détergent lorsque vous mesurez la quantité de poudre à utiliser.
- L’utilisation du détergent peut devoir être ajustée en fonction de la température de l’eau, de la dureté de l’eau, de la taille et du niveau de saleté de la charge. Évitez d’utiliser trop de détergent dans votre laveuse, car cela peut entraîner un excès de mousse et laisser des résidus de détergent sur les vêtements.
- Utiliser plus de détergent que la quantité recommandée peut causer une accumulation de résidus sur votre laveuse.
- Détergent liquide – Repérez la concentration de votre détergent sur la bouteille. Placez l’insert de sélection du détergent à l’endroit correspondant selon la concentration.

Compartiment javellisant liquide

IMPORTANT : Assurez-vous d'identifier le compartiment de javellisant avant de l'utiliser.

Si désiré, mesurer la quantité recommandée d'eau de Javel liquide, sans dépasser 80 M L (1/3 tasse), et verser dans le compartiment de droite étiqueté « LIQUID BLEACH » (Eau de Javel).



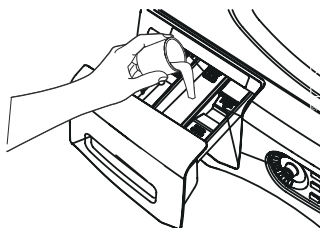
Ne dépassez pas la ligne de remplissage maximale. Un remplissage excessif peut entraîner une distribution précoce de l'eau de Javel, ce qui pourrait endommager les vêtements.

REMARQUE : N'utilisez pas de javellisant en poudre dans le distributeur.

Compartiment d'assouplissant

IMPORTANT : Assurez-vous d'identifier le bon compartiment pour l'assouplissant textile avant de l'utiliser.

Si vous le désirez, versez la quantité recommandée d'assouplissant textile liquide dans le compartiment étiqueté « FABRIC SOFTENER » (Assouplissant textile).



N'utilisez que de l'assouplissant liquide dans le distributeur.

Diluez avec de l'eau jusqu'à la ligne de remplissage maximale.

Ne dépassez pas la ligne de remplissage maximale. Un remplissage excessif peut entraîner une distribution précoce de l'assouplissant textile, ce qui pourrait tacher les vêtements.

REMARQUE : Ne versez pas l'assouplissant textile directement sur la brassée de lavage.

Chargement et utilisation de la laveuse

Toujours suivre l'étiquette d'entretien du fabricant du tissu lors du lavage.

Trier les brassées de lavage

Triez la lessive en brassées pouvant être lavées ensemble.

COULEURS	SALETÉ	TISSU	CHARPIE
Blancs	Heavy (Sale)	Articles délicats	Producteurs de charpie
Légers	Normal	Entretien facile	Collecteurs de charpie
Foncés	Pâles	Cotons robustes	

- Combinez les petits et les grands articles dans une même brassée. Chargez d'abord les gros articles. Les gros articles ne doivent pas représenter plus de la moitié de la brassée totale.
- Il n'est pas recommandé de laver des articles individuellement. Cela peut causer un déséquilibre de la charge. Ajoutez un ou deux articles similaires.
- Les oreillers et les douillettes ne doivent pas être mélangés avec d'autres articles. Cela peut causer un déséquilibre de la charge.



AVERTISSEMENT



Risque d'incendie

- Ne placez jamais dans la laveuse des articles imbibés d'essence ou d'autres liquides inflammables.
- Aucune laveuse ne peut complètement retirer l'huile.
- Ne séchez rien qui est déjà entré en contact avec de l'huile de tout genre (y compris de l'huile de cuisson).
- Cela peut entraîner la mort, une explosion ou un incendie.

Préparation des vêtements

Pour éviter les accrocs pendant le lavage :

Suivez ces étapes pour maximiser l'entretien des vêtements.

- Fermez les fermetures éclair, les boutons-pression, les boutons et les crochets.
- Reprenez les coutures, ourlets et déchirures.
- Videz les poches de tout article.
- Retirez les accessoires pour vêtements non lavables comme les ornements et les garnitures non lavables.
- Pour éviter les enchevêtrements, évitez les cordes, attaches et matériaux semblables à des ceintures.
- Brossez la saleté et les charpies de surface.
- Lavez rapidement les vêtements mouillés ou tachés pour maximiser les résultats.
- Utilisez des sacs à vêtements en maille de nylon pour laver les petits articles.
- Lavez plusieurs vêtements à la fois pour de meilleurs résultats.

Chargement de la laveuse

Le tambour de lavage peut être complètement rempli d'articles, sans les presser. Ne lavez pas les tissus contenant des matières inflammables (cires, liquides de nettoyage, etc.).

Pour ajouter des articles après le démarrage de la laveuse, appuyer sur **▶II** et attendez que la porte se déverrouille. La laveuse peut prendre jusqu'à 30 secondes pour déverrouiller la porte après avoir appuyé sur la touche **▶II**, selon les conditions de la machine.

Ne tentez pas de forcer l'ouverture de la porte lorsqu'elle est verrouillée. Une fois la porte déverrouillée, ouvrez-la lentement. Ajoutez les articles, fermez la porte et appuyez sur **▶II** pour redémarrer.

ENTRETIEN DE LA LAVEUSE

Nettoyage

Extérieur

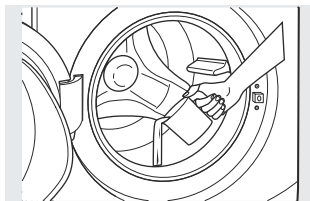
Essayez immédiatement tout déversement. Essayez avec un chiffon humide. Ne frappez pas la surface avec des objets tranchants.

Intérieur

Pour nettoyer l'intérieur de la laveuse, sélectionnez la fonction Tub Clean (Nettoyage de la cuve) sur le panneau de commande. Ce cycle de Nettoyage de la cuve doit être effectué au moins une fois par mois. Ce cycle utilisera plus d'eau, en plus de l'eau de Javel, pour contrôler la vitesse à laquelle les saletés et les détergents peuvent s'accumuler dans votre laveuse.

REMARQUE : Lisez les instructions ci-dessous en entier avant de commencer le cycle de Nettoyage de la cuve.

1. Retirez tout vêtement ou objet de la laveuse et assurez-vous que la cuve est vide.
2. Ouvrez la porte de la laveuse, puis versez 250 ml (une tasse) d'eau de Javel liquide ou un autre nettoyant pour laveuse dans la cuve.



3. Fermez la porte, puis sélectionnez le cycle de Tub Clean (Nettoyage de la cuve). Appuyez sur le bouton **▶II**.
4. Lorsque le cycle Tub Clean (Nettoyage de la cuve) fonctionne, l'écran affiche la durée de cycle estimée restante. Ne pas interrompre le cycle.

5. Une fois le cycle terminé, laisser la porte entrouverte pour une meilleure aération.

Si, pour une raison quelconque, le cycle doit être interrompu, la porte ne s'ouvrira pas immédiatement. Forcer l'ouverture de la porte à ce stade peut causer une inondation. La porte s'ouvrira une fois l'eau vidangée à un niveau où elle ne peut inonder le plancher.

Le nettoyage de la cuve peut être interrompu en appuyant sur le bouton **▶II** entre les cycles. Une panne de courant peut également interrompre le cycle. Lorsque l'alimentation électrique est de retour, le cycle de nettoyage de la cuve reprend là où il s'était arrêté. Lorsque le cycle est interrompu, s'assurer d'effectuer un cycle complet de Nettoyage de la cuve avant d'utiliser la laveuse. Si vous appuyez sur le pavé d'alimentation pendant le nettoyage de la cuve, le cycle sera perdu.

IMPORTANT :

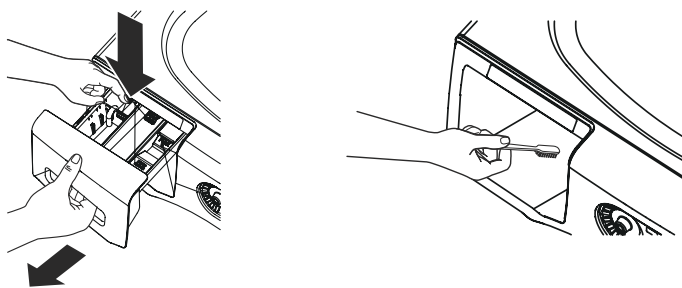
- Faites fonctionner le cycle de Nettoyage de la cuve avec 250 ml (1 tasse) de javellisant une fois par mois.
- Une fois le cycle de Nettoyage de la cuve terminé, l'intérieur de votre laveuse peut dégager une odeur de javellisant.
- Il est recommandé de laver une charge de couleur pâle après le cycle de Nettoyage de la cuve.

Zone du tiroir du distributeur

Le détergent et l'assouplissant textile peuvent s'accumuler dans le tiroir du distributeur. Les résidus doivent être retirés une ou deux fois par mois.

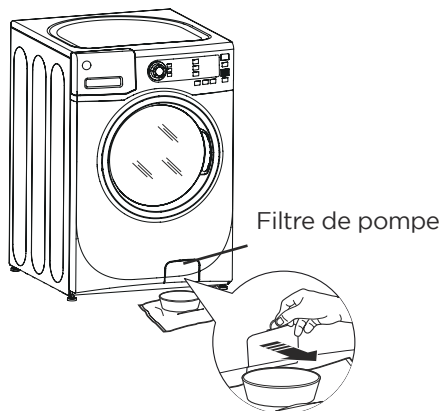
La languette de verrouillage n'est visible qu'une fois le tiroir ouvert.

Retirez le tiroir en le tirant d'abord vers l'extérieur jusqu'à ce qu'il s'arrête. Ensuite, tendez la main dans le coin arrière gauche de la cavité du tiroir et appuyez fermement sur la languette de verrouillage, en tirant sur le tiroir.

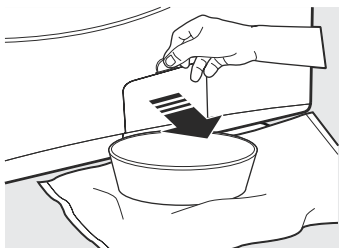


Nettoyage du filtre de la pompe

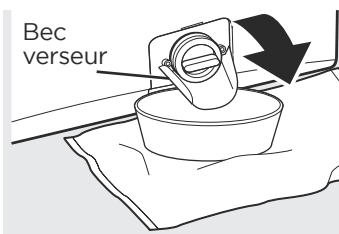
En raison de la nature de la laveuse à chargement frontal, il est parfois possible que de petits articles passent dans la pompe. La laveuse est équipée d'un filtre pour capturer les articles perdus afin qu'ils n'entrent pas dans la vidange. Pour récupérer les articles perdus, nettoyer le filtre de la pompe.



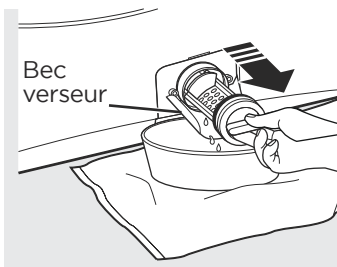
1. En utilisant une pièce de monnaie ou un tournevis plat dans l'encoche de la porte, ouvrez la porte d'accès.



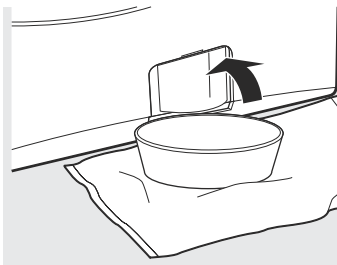
2. Placez une assiette ou un plat peu profond sous la porte d'accès à la pompe et des serviettes sur le plancher devant la laveuse pour protéger le plancher. Il est normal de recueillir environ 250 ml (1 tasse d'eau) lorsque le filtre est retiré.
3. Tirez le bec verseur vers le bas.



4. Tournez le filtre de la pompe dans le sens antihoraire et retirez le filtre. Ouvrez lentement pour permettre à l'eau de s'écouler.



5. Retirer les débris du filtre.
6. Remplacez le filtre et tournez-le dans le sens horaire. Serrez-le fermement.
7. Relevez le bec verseur.
8. Fermez la porte d'accès.

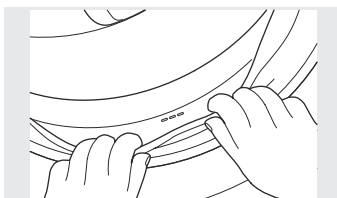


Nettoyage du joint d'étanchéité de la porte

- 1 Ouvrez la porte de la laveuse. Avec les deux mains, appuyez sur le joint d'étanchéité de la porte. Retirez tout corps étranger qui pourrait être coincé à l'intérieur du joint d'étanchéité. Assurez-vous que rien ne bloque les trous derrière le joint d'étanchéité.



2. Tout en maintenant le joint d'étanchéité de porte enfoncé, inspectez le joint d'étanchéité intérieur en le tirant vers le bas avec vos doigts. Retirez tout corps étranger qui pourrait être coincé à l'intérieur du joint d'étanchéité. Assurez-vous que rien ne bloque les trous derrière le joint d'étanchéité.



3. Lorsque vous avez terminé de nettoyer le joint d'étanchéité de la porte, retirez vos mains et le joint d'étanchéité reviendra en position de fonctionnement.

Déménagement, entreposage et longues vacances

Demandez au technicien de service de retirer l'eau de la pompe de vidange et des tuyaux. Ne rangez pas la laveuse dans un endroit où elle sera exposée aux intempéries. Lors du déplacement de la laveuse, la cuve doit être immobilisée en utilisant les boulons d'expédition retirés pendant l'installation. Consultez les instructions d'installation dans ce manuel.

Assurez-vous que l'alimentation en eau est coupée aux robinets. Vidangez toute l'eau des tuyaux si le temps est sous le point de congélation.

Certaines pièces internes ne sont pas mises à la terre délibérément et peuvent présenter un risque de décharge électrique pendant l'entretien. Personnel d'entretien - Ne pas toucher les pièces suivantes lorsque l'appareil est sous tension : Soupape électrique, pompe de vidange, réchauffeur et moteur.

DÉPANNAGE

Conseils de dépannage

Avant d'appeler le service technique...

Économisez temps et argent! Passez d'abord en revue les tableaux des pages suivantes et vous n'aurez peut-être pas besoin d'appeler le service.

Problème	Cause possible	Quoi faire
Ne draine pas N'essore pas N'agite pas	La charge est déséquilibrée	<ul style="list-style-type: none"> • Redistribuez les vêtements et faites couler le drain puis essorez, ou rincez et essorez. • Augmentez la taille de la brassée si vous lavez une petite brassée contenant des articles lourds et légers.
	La pompe est bouchée	<ul style="list-style-type: none"> • Consultez la page 26 pour savoir comment nettoyer le filtre de la pompe.
	Le tuyau de vidange est plié ou mal connecté	<ul style="list-style-type: none"> • Redressez le tuyau de vidange et assurez-vous que la laveuse ne repose pas dessus.
	Le drain domestique peut être bouché	<ul style="list-style-type: none"> • Vérifiez la plomberie domestique. Vous devrez peut-être appeler un plombier.
	Siphonnement du tuyau de vidange; tuyau de vidange poussé trop loin dans le drain	<ul style="list-style-type: none"> • Assurez-vous qu'un espace est présent entre le tuyau et le drain.
Fuite d'eau	Le joint d'étanchéité de la porte est endommagé	<ul style="list-style-type: none"> • Vérifiez si le joint d'étanchéité est bien en place et n'est pas déchiré. Les objets laissés dans les poches peuvent endommager la laveuse (clous, vis, stylos, crayons).
	Joint d'étanchéité de porte non endommagé	<ul style="list-style-type: none"> • L'eau peut s'écouler de la porte lorsque la porte est ouverte. Il s'agit d'un fonctionnement normal. • Essayez soigneusement le joint d'étanchéité en caoutchouc de la porte. Parfois, de la saleté ou des vêtements sont laissés dans ce joint et peuvent causer une petite fuite.
	Vérifiez l'arrière à gauche de la laveuse pour déceler de l'eau	<ul style="list-style-type: none"> • Si cette zone est mouillée, vous avez des problèmes de quantité excessive de mousse. Utilisez moins de détergent.

Problème	Cause possible	Quoi faire
Fuite d'eau (suite)	<p>Les tuyaux de remplissage ou de vidange sont mal connectés</p> <p>Le drain domestique peut être bouché</p> <p>Distributeur bouché</p> <p>Utilisation incorrecte de détergent</p> <p>Fissuration de la boîte</p>	<ul style="list-style-type: none"> Assurez-vous que les raccords de tuyau sont bien serrés au niveau de la laveuse et des robinets, et assurez-vous que l'extrémité du tuyau de vidange est correctement insérée et fixée au drain. Vérifiez la plomberie domestique. Vous devrez peut-être appeler un plombier. Le savon en poudre peut causer des obstructions à l'intérieur du distributeur et provoquer des fuites à l'avant du distributeur. Retirez le tiroir et nettoyez-le, de même que l'intérieur de la boîte distributrice. Veuillez consulter la section Nettoyage de l'intérieur de la laveuse. Utilisez HE (haute efficacité) et la bonne quantité de détergent. S'il s'agit d'une nouvelle installation, vérifiez la présence de fissures sur la boîte distributrice.
Vêtements trop mouillés	<p>La charge est déséquilibrée</p> <p>La pompe est bouchée</p> <p>Surcharge</p> <p>Le tuyau de vidange est plié ou mal connecté</p>	<ul style="list-style-type: none"> Redistribuez les vêtements et faites couler le drain et essorez, ou rincez et essorez. Augmentez la taille de la brassée si vous lavez une petite brassée contenant des articles lourds et légers. La machine ralentira la vitesse d'essorage à 400 tr/min s'il est difficile d'équilibrer la charge. Cette vitesse est normale. Consultez la page 26 pour savoir comment nettoyer le filtre de la pompe. Le poids sec de la charge doit être inférieur poids suggéré. Redressez le tuyau de vidange et assurez-vous que la laveuse ne repose pas dessus.

Sécurité de la laveuse

Exigences de fonctionnement

Instructions d'installation

Utilisation de la laveuse

Entretien de la laveuse

Dépannage

Problème	Cause possible	Quoi faire
Vêtements trop mouillés (suite)	Le drain domestique peut être bouché	<ul style="list-style-type: none"> • Vérifiez la plomberie domestique. Vous devrez peut-être appeler un plombier. • Assurez-vous qu'un espace est présent entre le tuyau et le drain.
	Siphonnement du tuyau de vidange; tuyau de vidange poussé trop loin dans le drain	
Cycle incomplet ou minuterie n'avance pas	Redistribution automatique de la charge	<ul style="list-style-type: none"> • La minuterie ajoute 3 minutes au cycle pour chaque rééquilibrage. Des rééquilibrages de 11 ou 15 peuvent être effectués. Il s'agit d'un fonctionnement normal. Ne rien faire; la machine terminera le cycle de lavage.
	La pompe est bouchée	<ul style="list-style-type: none"> • Consultez la page 26 pour savoir comment nettoyer le filtre de la pompe.
	Le tuyau de vidange est plié ou mal connecté	<ul style="list-style-type: none"> • Redressez le tuyau de vidange et assurez-vous que la laveuse ne repose pas dessus.
	Le drain domestique peut être bouché	<ul style="list-style-type: none"> • Vérifiez la plomberie domestique. Vous devrez peut-être appeler un plombier. • Assurez-vous qu'un espace est présent entre le tuyau et le drain.
	Siphonnement du tuyau de vidange; tuyau de vidange poussé trop loin dans le drain	
Bruit fort ou inhabituel; vibration ou tremblement	Déplacement de l'armoire	<ul style="list-style-type: none"> • La laveuse est conçue pour bouger de 6 mm (1/4 po) afin de réduire les forces transmises au sol. Ce mouvement est normal.
	Les pieds de mise à niveau en caoutchouc ne touchent pas tous fermement le sol	<ul style="list-style-type: none"> • Poussez et tirez sur l'arrière à droite de votre laveuse, puis poussez à gauche pour vérifier si elle est de niveau. Si la laveuse est inégale, ajustez les pieds de mise à niveau en caoutchouc afin qu'ils touchent fermement le sol et soient verrouillés en place. Votre installateur devrait corriger ce problème.
	Charge déséquilibrée	<ul style="list-style-type: none"> • Ouvrez la porte et redistribuez manuellement la charge. Pour vérifier la machine, rincez et essorez sans charge. Si la situation redevient normale, c'est que le déséquilibre a été causé par la charge.
	La pompe est bouchée	<ul style="list-style-type: none"> • Consultez la page 26 pour savoir comment nettoyer le filtre de la pompe.

	Problème	Cause possible	Quoi faire
Sécurité de la laveuse	Pas d'alimentation/ la laveuse ne fonctionne pas ou est morte	La laveuse est débranchée	<ul style="list-style-type: none"> Assurez-vous que le cordon est bien branché dans une prise fonctionnelle.
Exigences de fonctionnement		L'alimentation en eau est coupée	<ul style="list-style-type: none"> Allumez complètement le robinet froid.
Instructions d'installation		Le disjoncteur/fusible est déclenché/brulé	<ul style="list-style-type: none"> Vérifiez le disjoncteur et les fusibles de la résidence. Vérifiez ou remplacez le fusible, ou réinitialisez le disjoncteur. La laveuse doit avoir une sortie séparée.
Utilisation de la laveuse	Accrocs, trous, déchirures, déchirures ou usure excessive	Surchargé	<ul style="list-style-type: none"> Le poids sec de la charge doit être inférieur poids suggéré.
Entretien de la laveuse		Stylos, crayons, clous, vis ou autres objets laissés dans les poches	<ul style="list-style-type: none"> Retirez les articles détachés des poches.
Dépannage		Épingles, boutons-pression, crochets, boutons pointus, boucles de ceinture, fermetures éclair et objets pointus laissés dans les poches	<ul style="list-style-type: none"> Attachez les boutons-pression, les crochets, les boutons et les fermetures éclair.
	Temps de contrôle incorrect ou changements	C'est normal	<ul style="list-style-type: none"> Pendant l'essorage, la laveuse pourrait devoir rééquilibrer la charge parfois pour réduire les vibrations. Lorsque cela se produit, le temps estimé est augmenté, ce qui entraîne une augmentation ou un saut du temps restant.
	Pas assez d'eau	C'est normal	<ul style="list-style-type: none"> Les laveuses horizontales n'exigent pas que la cuve se remplisse d'eau comme les laveuses à chargement vertical.
	La laveuse s'arrête ou doit être redémarrée, ou la porte de la laveuse est verrouillée et ne s'ouvre pas	La pompe est bouchée	<ul style="list-style-type: none"> Consultez la page 26 pour savoir comment nettoyer le filtre de la pompe.

Problème	Cause possible	Quoi faire
La porte se déverrouille ►► ou s'appuie et la machine ne fonctionne pas	<p>C'est normal</p> <p>Fonctionnement incorrect</p>	<ul style="list-style-type: none"> Les laveuses à chargement frontal démarrent différemment des laveuses à chargement vertical, et il faut 30 secondes pour vérifier le système. La porte se verrouillera et se déverrouillera. Il suffit d'ouvrir et de fermer la porte fermement, puis d'appuyer ►►.
L'eau ne pénètre pas dans la laveuse ou pénètre lentement	<p>Vérifications automatiques du système</p> <p>L'alimentation en eau est coupée Les filtres du robinet d'eau sont bouchés</p>	<ul style="list-style-type: none"> Après ►► avoir appuyé, la laveuse effectue plusieurs vérifications du système. L'eau s'écoulera pendant 60 secondes après ►► avoir appuyé sur la touche. Ouvrez l'alimentation en eau. Fermez la source d'eau et retirez les tuyaux de raccordement d'eau de la partie supérieure arrière de la laveuse. Utilisez une brosse ou un cure-dent pour nettoyer les crépines de la machine. Rebranchez le tuyau et remettez l'eau en marche.
Froissement	<p>Tri inadéquat</p> <p>Surcharge</p> <p>Cycle de lavage incorrect</p> <p>Lavage répété dans de l'eau trop chaude</p>	<ul style="list-style-type: none"> Évitez de mélanger des articles volumineux (comme des vêtements de travail) avec des articles légers (comme des blouses). Chargez votre laveuse pour que les vêtements aient suffisamment d'espace pour bouger librement. Faites correspondre la sélection du cycle au type de tissu que vous lavez (particulièrement pour les brassées faciles d'entretien). Lavez à l'eau tiède ou froide.

Problème	Cause possible	Quoi faire
Vêtements grisés ou jaunis	Pas assez de détergent	<ul style="list-style-type: none"> Utilisez la bonne quantité de détergent. Utilisez un détergent HE (haute efficacité).
	Détergent HE (haute efficacité) non utilisé	
	Eau dure	<ul style="list-style-type: none"> Utilisez l'eau la plus chaude sans danger pour le tissu. Utilisez un conditionneur d'eau comme un de marque Calgon ou installez un adoucisseur d'eau.
	Le détergent ne se dissout pas	<ul style="list-style-type: none"> Essayez un détergent liquide.
	Transfert de teinture	<ul style="list-style-type: none"> Triez les vêtements par couleur. Si l'étiquette du tissu indique un lavage séparé, des teintures instables peuvent être indiquées.
Taches colorées	Utilisation incorrecte d'assouplissant textile	<ul style="list-style-type: none"> Vérifiez l'emballage de l'assouplissant textile pour trouver des instructions et suivez-les pour l'utilisation du distributeur.
	Transfert de teinture	<ul style="list-style-type: none"> Triez les blancs ou les articles légèrement colorés des couleurs foncées. Retirez rapidement la charge de lavage de la laveuse.
Légère variation de couleur métallique	Il s'agit d'une apparence normale	<ul style="list-style-type: none"> En raison des propriétés métalliques de la peinture utilisée pour ce produit unique, de légères variations de couleur peuvent se produire en raison des angles de vue et des conditions d'éclairage.

Sécurité de la laveuse

Exigences de fonctionnement

Instructions d'installation

Utilisation de la laveuse

Entretien de la laveuse

Dépannage

Problème	Cause possible	Quoi faire
Odeur à l'intérieur de votre laveuse	Laveuse inutilisée pendant une longue période, la qualité de détergent HE (haute efficacité) recommandée n'a pas été utilisée ou une trop grande quantité de détergent a été utilisée.	<ul style="list-style-type: none"> • Exécutez un cycle de Nettoyage de la cuve une fois par mois. • En cas d'odeur forte, vous devrez peut-être exécuter le cycle de Nettoyage de la cuve plus d'une fois par mois. • Utilisez uniquement la quantité de détergent recommandée sur le contenant de détergent. • Utilisez uniquement un détergent HE (haute efficacité). • Retirez toujours rapidement les articles mouillés de la laveuse après que la machine ait cessé de fonctionner. • Laissez la porte légèrement ouverte pour que l'eau s'évapore à l'air. Une surveillance étroite est nécessaire si cet appareil est utilisé par ou près des enfants. Ne laissez pas les enfants jouer sur ou à l'intérieur de l'appareil ou de tout autre appareil.
Fuite de détergent	Positionnement incorrect de l'insert de détergent	<p>Assurez-vous que l'insert de détergent est correctement placé et bien en place. Ne mettez jamais de détergent au-dessus de la ligne maximale.</p>
Distribution inadéquate de l'assouplissant ou du javellisant	<p>Distributeur bouché</p> <p>L'assouplissant ou le javellisant est rempli au-dessus de la ligne maximale</p> <p>Problème de bouchon d'assouplissant ou de javellisant</p>	<p>Nettoyez le tiroir du distributeur tous les mois pour éliminer l'accumulation de produits chimiques.</p> <p>Assurez-vous d'avoir la bonne quantité d'assouplissant ou de javellisant.</p> <p>Assurez-vous que le bouchon d'assouplissant ou de javellisant du distributeur est bien en place, sinon il ne fonctionnera pas.</p>

Codes d'erreurs

Description	Raison	Solution
E30	La porte n'est pas fermée correctement	Redémarrez une fois la porte fermée. Assurez-vous que les vêtements ne sont pas coincés.
E10	Problème d'injection d'eau pendant le lavage	Vérifiez si la pression d'eau est trop basse. Redressez les tuyaux d'arrivée d'eau. Vérifiez si le filtre de la soupape d'entrée est bloqué.
E21	Drainage d'eau supplémentaire	Vérifiez si le tuyau de vidange est bloqué, nettoyez le filtre de vidange.
E12	Débordement d'eau	Redémarrez la laveuse.
EXX	Autres	Veillez essayer de nouveau d'abord, appelez la ligne de service si le problème persiste.

Sécurité de la laveuse

Exigences de fonctionnement

Instructions d'installation

Utilisation de la laveuse

Entretien de la laveuse

Dépannage

GARANTIE LIMITÉE DE 2 ANS

La présente garantie est fournie à l'acheteur au détail initial (« l'acheteur » ou « vous ») par Midea America (Canada) Corp. (« Midea » ou « nous »), qui garantit toutes les pièces de ce produit, comme décrit ci-dessous. Midea garantit ce produit à l'acheteur pour un usage personnel, familial ou domestique. Cette garantie couvre les problèmes de performance et de qualité des matériaux et de la fabrication qui apparaissent dans le cadre d'une utilisation et d'un entretien normaux dans les deux ans suivant la date d'achat. Cette garantie vous donne des droits spécifiques et vous pouvez également bénéficier d'autres droits qui varient d'un État à l'autre.

LIMITATIONS DE GARANTIE

La présente garantie n'est accordée qu'à l'acheteur initial au détail aux États-Unis ou au Canada et ne peut être transférée à un acheteur ultérieur. Cette garantie ne s'applique pas aux acheteurs de nos produits destinés à être utilisés ou revendus dans une entreprise ; une garantie commerciale distincte peut protéger ces acheteurs.

Cette garantie ne couvre pas les défaillances du produit causées par :

- (a) Les abus, les dommages ou l'utilisation du produit en violation des instructions du produit.
- (b) La modification de tout produit ou pièce.
- (c) Le défaut d'entretien du produit ou de la pièce tel que décrit conformément aux instructions du produit.
- (d) Une installation ou application défectueuse.
- (e) L'utilisation de pièces ou d'accessoires non compatibles avec ce produit.
- (f) Les inondations, incendies, vents, foudre, accidents, atmosphère corrosive ou autres conditions indépendantes de la volonté de Midea.
- (g) L'interruption de l'alimentation électrique ou une alimentation électrique inadéquate.
- (h) Le remplacement des fusibles et le remplacement ou réarmement des disjoncteurs.
- (i) Les conduites d'eau gelées ou cassées, les dégâts d'eau, l'intrusion d'humidité, les moisissures ou autres développements biologiques.
- (j) L'utilisation, la combinaison ou la liaison du produit à d'autres produits, les processus ou matériaux non fournis par Midea.

RECOURS EN GARANTIE

Si un problème de qualité ou de performance couvert par la présente garantie est découvert pendant la période de garantie, nous réparerons ou remplacerons, à notre choix, le produit en question. Cette garantie est limitée à la réparation ou au remplacement du produit par un réparateur ou un revendeur agréé Midea et ne couvre pas les frais d'expédition, les frais de main-d'œuvre, les droits de douane, les frais de logistique intérieure ou les frais de service, y compris les frais de diagnostic, de retrait, de transport ou de réinstallation. Si nous vous le demandons, vous devez nous retourner le produit.

EXCLUSION DE GARANTIE ; EXCLUSION DES DOMMAGES

Il s'agit de la seule garantie expresse que nous offrons aux consommateurs sur nos produits. **TOUTE GARANTIE IMPLICITE DE MIDEA, Y COMPRIS, MAIS SANS S'Y LIMITER, LES GARANTIES DE QUALITÉ MARCHANDE ET D'ADÉQUATION À UN USAGE PARTICULIER, EST LIMITÉE À LA DURÉE DE LA PRÉSENTE GARANTIE EXPRESSE.** Certains États et provinces n'autorisent pas l'exclusion des garanties expresses et/ou la limitation de la durée d'une garantie implicite, de sorte que l'exclusion et/ou la limitation susmentionnées peuvent ne pas s'appliquer à vous.

LE RECOURS DÉCRIT CI-DESSUS EST LE SEUL QUE NOUS FOURNIRONS, QUE CE SOIT AU TITRE DE LA PRÉSENTE GARANTIE OU DE TOUTE GARANTIE DÉCOULANT DE L'APPLICATION DE LA LOI. NOUS NE SERONS PAS RESPONSABLES DES DOMMAGES INDIRECTS OU ACCESSOIRES RÉSULTANT DE LA VIOLATION DE LA PRÉSENTE GARANTIE OU DE TOUTE AUTRE GARANTIE, QU'ELLE SOIT EXPRESSE OU IMPLICITE, QU'IL S'AGISSE D'UNE NÉGLIGENCE OU D'UN AUTRE DÉLIT OU D'UNE THÉORIE DE LA RESPONSABILITÉ STRICTE, Y COMPRIS, MAIS SANS S'Y LIMITER, LES PERTES DE

BÉNÉFICES. Certains États n'autorisent pas l'exclusion ou la limitation des dommages accessoires ou indirects, de sorte que l'exclusion ci-dessus peut ne pas s'appliquer à vous.

PROCESSUS DE RÉCLAMATION AU TITRE DE LA GARANTIE

Pour plus d'informations ou pour faire une réclamation en vertu de la garantie, veuillez consulter le site :

<https://www.midea.com/ca/support>

Ou veuillez nous contacter par :

Telephone: 1-888-365-2230

Email: CanadaSupport@midea.com

Vous devez être en possession de votre facture, du bon de livraison ou d'une preuve d'achat appropriée pour introduire une réclamation en vertu de la garantie. La date d'achat détermine la période de garantie si une intervention est nécessaire.

RÈGLEMENT DES LITIGES

CLAUSE D'ARBITRAGE. IMPORTANT. VEUILLEZ PRENDRE CONNAISSANCE DE CETTE CLAUSE D'ARBITRAGE. ELLE AFFECTE VOS DROITS LÉGAUX.

- (a) *Les parties* : La présente clause d'arbitrage (la « clause d'arbitrage ») affecte vos droits à l'encontre de Midea et de ses sociétés affiliées, employés, agents, successeurs ou ayants droit, qui sont tous désignés ci-après par les termes « nous » ou « notre » pour des raisons de commodité.
- (b) **EXIGENCE D'ARBITRAGE : SAUF INDICATION CONTRAIRE CI-DESSOUS, TOUT LITIGE ENTRE VOUS ET L'UN D'ENTRE NOUS SERA TRANCHÉ PAR UN ARBITRAGE NEUTRE ET CONTRAIGNANT PLUTÔT QUE PAR UN TRIBUNAL OU UN PROCÈS AVEC JURY.** Le terme « litige » sera interprété dans le sens le plus large possible autorisé par la loi. Cela inclut tout litige, réclamation ou controverse découlant de ou lié à votre achat de ce produit, à toute garantie sur le produit ou à l'état du produit. Elle comprend également la détermination de la portée ou de l'applicabilité de la présente clause d'arbitrage. L'exigence d'arbitrage s'applique aux réclamations contractuelles et délictuelles, en vertu d'une loi ou autrement.
- (c) **RENONCIATION À L'ARBITRAGE COLLECTIF : L'ARBITRAGE EST TRAITÉ AU CAS PAR CAS. SI UN LITIGE FAIT L'OBJET D'UN ARBITRAGE, VOUS ET NOUS RENONÇONS EXPRESSÉMENT À TOUT DROIT DE PARTICIPER EN TANT QUE REPRÉSENTANT OU MEMBRE D'UN GROUPE À TOUTE RÉCLAMATION COLLECTIVE QUE VOUS POURRIEZ AVOIR CONTRE NOUS OU QUE NOUS POURRIONS AVOIR CONTRE VOUS, OU EN TANT QUE PROCUREUR GÉNÉRAL PRIVÉ OU À TOUT AUTRE TITRE REPRÉSENTATIF, DANS LES LIMITES MAXIMALES AUTORISÉES PAR LA LOI. VOUS ET NOUS RENONÇONS ÉGALEMENT À TOUT DROIT À L'ARBITRAGE COLLECTIF OU À TOUTE CONSOLIDATION D'ARBITRAGES INDIVIDUELS.**
- (d) *Découverte et autres droits* : Les enquêtes et les droits de recours dans le cadre d'un arbitrage sont généralement plus limités que dans le cadre d'un procès. Cela s'applique à vous comme à nous. D'autres droits que vous ou nous aurions devant un tribunal peuvent ne pas être disponibles dans le cadre de l'arbitrage. Veuillez lire cette clause d'arbitrage et consulter les règles des organisations d'arbitrage énumérées ci-dessous pour plus d'informations.
- (e) **OPTION DU TRIBUNAL DES PETITES CRÉANCES : VOUS POUVEZ CHOISIR DE SOUMETTRE TOUT LITIGE ENTRE VOUS ET L'UN D'ENTRE NOUS AU TRIBUNAL DES PETITES CRÉANCES, PLUTÔT QU'À L'ARBITRAGE, SI LE LITIGE REMPLIT TOUTES LES CONDITIONS REQUISES POUR ÊTRE ENTENDU PAR LE TRIBUNAL DES PETITES CRÉANCES.**

- (f) *Droit applicable* : Pour les résidents des États-Unis, les procédures et les effets de l'arbitrage seront régis par la loi fédérale sur l'arbitrage (9 U.S.C. § 1 et seq.) plutôt que par la législation de l'État concernant l'arbitrage. Pour les résidents du Canada, les procédures et les effets de l'arbitrage seront régis par la loi d'arbitrage applicable dans la province où vous avez acheté votre produit. La loi régissant vos droits de garantie substantielle et autres réclamations sera la loi de l'État ou de la province dans laquelle vous avez acheté votre produit. Tout tribunal compétent peut statuer sur la sentence arbitrale.
- (g) *Règles d'arbitrage* : Si le montant en litige est inférieur à 250 000 dollars, l'arbitrage sera tranché par un seul arbitre. Si le montant en litige est supérieur ou égal à 250 000 dollars, l'arbitrage sera tranché par un panel de trois arbitres. Le(s) arbitre(s) sera(ont) choisi(s) conformément aux règles de l'organisation d'arbitrage responsable. Les résidents des États-Unis peuvent choisir JAMS (1920 Main Street, Ste. 300, Irvine, CA 92614, www.jamsadr.com) ou, sous réserve de notre approbation, toute autre organisation d'arbitrage. En outre, les résidents canadiens peuvent choisir l'ADR Institute of Canada (234 Eglinton Ave. East, Suite 405, Toronto, Ontario, M4P 1K5, www.amic.org). Les règles de ces organisations peuvent être obtenues en contactant l'organisation ou en visitant son site web. Si les règles de l'organisation d'arbitrage choisie sont en conflit avec la présente clause d'arbitrage, les dispositions de la présente clause d'arbitrage prévalent. La sentence de l'arbitre ou des arbitres est définitive et contraignante pour toutes les parties.
- (h) *Lieu de l'audience d'arbitrage* : Sauf disposition contraire de la législation applicable, l'audience d'arbitrage pour les résidents des États-Unis se déroulera dans le district judiciaire fédéral dans lequel vous résidez (dans votre ville d'origine) ou, pour les résidents du Canada, dans la province dans laquelle vous résidez et, si vous le souhaitez, en personne.
- (i) *Frais de l'arbitrage* : Chaque partie est responsable de ses propres frais d'avocat, d'expert et autres frais et honoraires, sauf si la loi applicable en dispose autrement. Nonobstant la phrase précédente, et à moins que la loi applicable n'en dispose autrement, si vous êtes un consommateur en vertu des règles JAMS ou des règles d'un autre administrateur d'arbitrage convenu, Midea vous paiera ou vous remboursera tous les frais ou coûts raisonnables dans la mesure requise par la loi ou par les règles de l'administrateur d'arbitrage applicable. Que la loi ou ces règles l'exigent ou non, si vous obtenez gain de cause lors de l'arbitrage sur toute réclamation à l'encontre de Midea, Midea vous remboursera tous les frais raisonnables payés à l'administrateur de l'arbitrage dans le cadre de la procédure d'arbitrage. En aucun cas, Midea ne vous demandera le paiement ou le remboursement des frais raisonnables qu'elle encourt dans le cadre de l'arbitrage. Si vous êtes tenu d'avancer des frais ou des coûts à JAMS ou à un autre administrateur d'arbitrage convenu, mais que vous demandez à Midea de le faire à votre place, Midea examinera votre demande et y répondra.
- (j) *Survie et applicabilité de la présente clause d'arbitrage* : La présente clause d'arbitrage survivra à l'expiration ou à la résiliation, ou à tout transfert, de la garantie de votre produit. Si une partie de la présente clause d'arbitrage, à l'exception des renoncements aux droits de recours collectif, est jugée inapplicable pour quelque raison que ce soit, le reste de la présente clause et la garantie resteront applicables. Si, dans un cas où des allégations de recours collectif ont été formulées, la renonciation aux droits de recours collectif au titre de la présente garantie est jugée inapplicable en ce qui concerne toute partie du litige, les parties du litige pour lesquelles la renonciation aux droits de recours collectif a été jugée inapplicable seront dissociées et feront l'objet d'une procédure judiciaire sans référence ni application de la présente clause d'arbitrage. Les parties restantes seront soumises à l'arbitrage.

RÉSIDENTS DU QUÉBEC

Les dispositions d'arbitrage de la présente garantie ne s'appliquent pas aux résidents du Québec.



make yourself at home