

# RES30551 | RES30552

## 30" Slide-in Electric Range

**FOTILE**  
A BREATH OF FRESH ENGINEERING®



## Main Features

### FreshBake™ Technology

**Exclusive PCF Filter** – Patented technology that captures and breaks down PM and VOCs from cooking, reducing 90% of odors and minimizing emissions for a cleaner kitchen.

(Only RES30552 supports FreshBake™)

### QuadraShield™ Four-Layer Door

Two Low-E glass layers reflect heat back into the oven, enhancing efficiency and keeping the door surface at a safe 109.4°F (43°C) to prevent burns.

### SynCook™ Technology\*

**Seamlessly pair with select FOTILE range hood\*** for convenient operation, activating the range hood when the cooktop or oven is turned on.

### 9 Baking Modes

Whether it's a **16-inch pizza**, a **30-pound Thanksgiving turkey**, or oil-free air frying, the range's precise temperature control and versatile baking modes ensure perfect results every time.

### High Power 5 Burners for Multiple Sizes

With up to 3600W stir-fry power, the 5 German EGO burners and SCHOTT® CERAN glass surface support **6/10/12-inch burner sizes**, ensuring safe and efficient cooking.

(RES30551 has a largest cooktop of 10-inch)

### Easy-to-Clean Design

The smooth glass cooktop wipes clean effortlessly, **removable knobs** are dishwasher-safe, and **steam self-cleaning** needs only a cup of water.



\*This feature is available with any FOTILE range hood that features SynCook™ Technology.

# RES30551 | RES30552

## 30" Slide-in Electric Range

**FOTILE**  
A BREATH OF FRESH ENGINEERING®

### Specifications



RES30552



RES30551

#### Style and Design

FreshBake™	Yes	No
SynCook™ *	Yes	Yes
QuadraShield™ Door	4 Layers Door with 2 Layers of Low-E Glass	
Cooktop Surface Material	SCHOTT® CERAN Glass	
Safety Lock	Oven & Cooktop All-Lock	
Illuminated Knobs	Yes	No
Residual Heat Indicator	SafeGlow™ LED Strip	Red Dot Light

#### Performance and Features

Burner Numbers	5	
L-Front (Dual-ring)	10in/6in   3.0kW/1.8kW	
R-Front (RES30552 Dual-ring   RES30551 Tri-ring)	12in/10in/6in 3.6kW/2.4kW/1.2kW	10in/6in   3.0kW/1.8kW
L-Rear & R-Rear (Single-ring)	6in   1.2kW	6in   1.2kW
Middle (Keep Warm)	6in   100W	
Oven Capacity	5.7 cu ft	5.7 cu ft
Oven Function	Bake, Conv.Bake, Broil Hi/Lo, Conv.Broil, Conv.Roast, Air Fry, Proof, Warm, Quick Preheat, Sabbath Mode	
Storage Drawer	Toe-kick Drawer 0.7 cu ft	Pull Drawer 0.7 cu ft

#### Power Supply

Voltage   Frequency	208V/240V   60Hz (Split/Single Phase 3-Wire)†	
Current	40A	
Max. Working Power	13.6 kW at 240V	13.0 kW at 240V
	10.2 kW at 208V	9.8 kW at 208V

#### Warranty Summary

Labor	1 year
Parts	3 years (Limited)

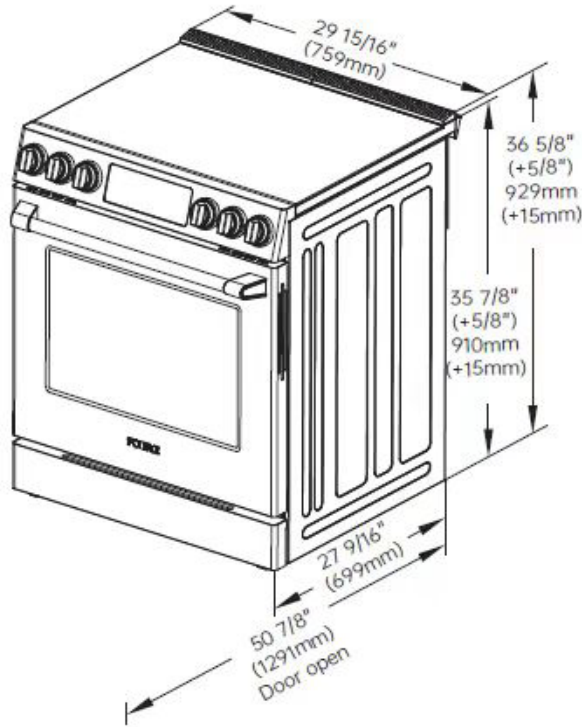
\*This feature is available with any FOTILE range hood that features SynCook™ Technology

†The electrician will help determine whether to use a 3-wire or 4-wire conduit connection based on the actual kitchen setup. Leave 2 to 3 feet of wire for easy installation and maintenance.

# RES30551 | RES30552

## 30" Slide-in Electric Range


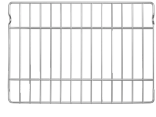
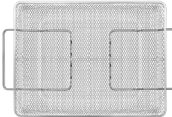
### Product Dimensions



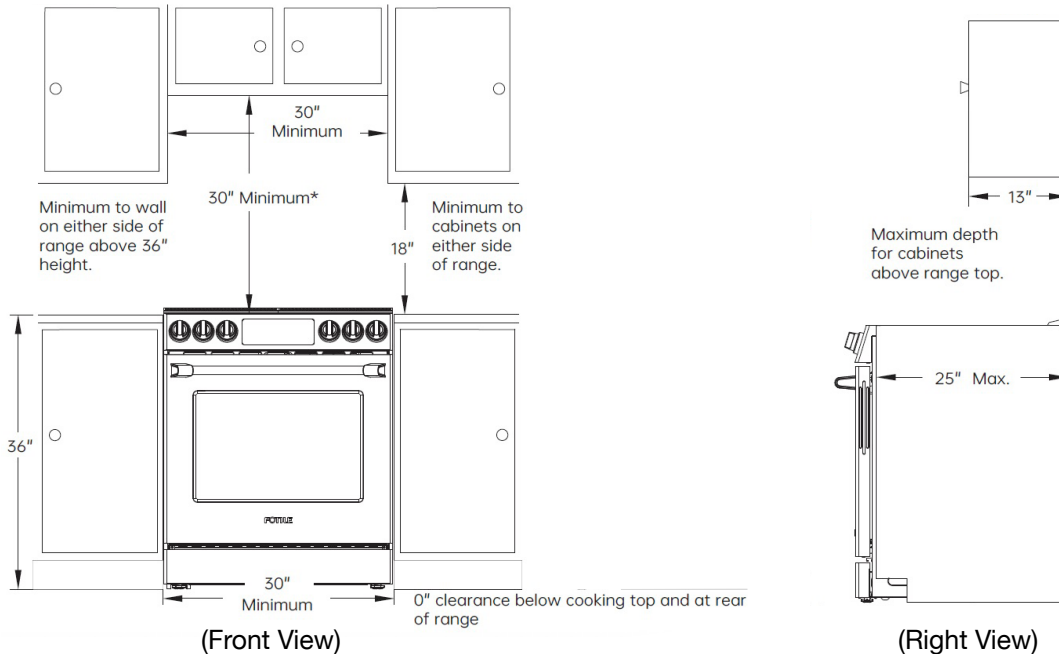
### Product Dimensions / Weight

Overall Width	29 15/16"
Overall Height	35 7/8"
Dist. From Wall (Door Close)	30 3/16"
Dist. From Wall (Door Open)	50 7/8"
Net Weight	221.8 lbs.
Gross Weight	244.3 lbs.

### Accessories (Included)

	1 Glide
	Rack 2(RES30552) 1(RES30551)
	Air Fry Tray

### Installation Dimensions



The drawings on this page are schematic diagrams and may not in scale. Refer to the specified digits shown for accurate lengths.

Accessories: To purchase FOTILE accessories and parts, please visit us at [ca.fotileglobal.com](http://ca.fotileglobal.com).

Notes: All height, width, and depth dimensions are shown in inches. Information is subject to change. Please refer to the FOTILE website for the most up-to-date information.

Warranties: Please see the user manual or FOTILE website for the statement of limited warranty. For more information on our entire line of products: visit [ca.fotileglobal.com](http://ca.fotileglobal.com).

©2025 FOTILE Canada. All rights reserved. FOTILE is a registered trademark of FOTILE Group.