

# LDEL7324YE

7.3 cu. ft. Smart wi-fi Enabled Double Oven Free-standing Range with ProBake Convection® and Premium New Handle

7.3 cu. ft Capacity  
ProBake Convection®  
EasyClean®  
WideView™ Window  
LG ThinQ® with ThinQ Care

## AVAILABLE COLORS



STAINLESS STEEL



## Proactive Smart Alerts to Keep Your Appliances Running Smoothly

### ThinQ Care

- Preventative Alerts help you stay a step ahead of potential issues to find proactive solutions before problems arise.
- Avoid preventable repairs and service calls with real-time diagnostics for a hassle-free experience.
- Integrated within LG's ThinQ app—a smart home hub for managing your smart devices and appliances.



## SUMMARY

|                               |                                  |
|-------------------------------|----------------------------------|
| Type                          | Electric Double Oven             |
| Total Oven Capacity (cu. ft.) | 7.3                              |
| Available Colors              | Stainless Steel                  |
| <b>COOKTOP</b>                |                                  |
| Burner/Watts - Left Rear      | 6" - 1200W                       |
| Burner/Watts - Right Rear     | 6" - 1200W                       |
| Burner/Watts - Left Front     | 9" / 6" - 3200W UltraHeat™       |
| Burner/Watts - Right Front    | 3000 (12"), 2200 (9"), 1100 (6") |
| Burner/Watts - Center         | 7" - 100W                        |
| Hot Surface LED Indicator     | Yes                              |

## CONTROL FEATURES

|                                  |                      |
|----------------------------------|----------------------|
| Cooktop Control Type             | Front Control Knobs  |
| Flex Control Knob                | No                   |
| Oven Control Type                | SmoothTouch™ Glass   |
| Display                          | LED / White          |
| Language                         | English              |
| Clock                            | Yes                  |
| Temperature Unit                 | Fahrenheit / Celsius |
| Cooking Complete Reminder Volume | Beep (Hi, Lo, Off)   |
| Certified Sabbath Mode           | Yes                  |

## APPEARANCE

|                        |                                |
|------------------------|--------------------------------|
| All Available Colors   | Stainless Steel                |
| Handle/Knobs           | Stainless Steel                |
| Handle/Knobs materials | Aluminum / PC+ABS              |
| Handle Type            | Curve Type                     |
| Oven Door Feature      | WideView™ Window               |
| PrintProof™ Finish     | No                             |
| Cooktop Finish         | Black Ceramic + Grey Pattern   |
| PrintProof™ Finish     | No                             |
| Oven Door Feature      | WideView™ Window (Clear Glass) |
| Cooktop Finish         | Stainless Steel                |

## UPPER OVEN FEATURES

|                         |  |
|-------------------------|--|
| Configuration           | Electric   |
| Broil Element (Watts/h) | Sheathed Heater 3,800W   |
| Bake Element (Watts/h)  | 2400W / 4 Pass (Exposed)   |
| Oven Cooking            | Conventional   |
| Oven Modes              | Bake, Broil, Warm, Pizza, Self Clean, EasyClean®, Remote Start, Delayed Timed Cook, Timed Cook |
| Oven Control Features   | Glass Touch (SmoothTouch™)   |
| EasyClean®              | Yes  |
| EasyClean® time         | 10mins   |
| Self Clean              | Yes  |
| GoCook Smart Oven Light | Yes  |
| No. of Rack Positions   | 2  |
| Door Lock               | Yes  |

## LOWER OVEN FEATURES

|                           |  |
|---------------------------|--|
| Broil Element (Watts)     | 3800W / 6 Pass   |
| Convection Type           | ProBake Convection®  |
| Convection Burner (Watts) | 2500W / 2 Turn (ProBake Convection®)   |
| Convection Conversion     | Yes  |
| Oven Modes                | Bake, Conv. Bake, Conv. Roast, Warm/Proof, Broil, Frozen meal, Air Fry, Air Sous-vide, Easy-Clean®, Self Clean, Remote Start, Delayed Timed Cook, Timed Cook |
| Oven Control Features     | Glass Touch (SmoothTouch™)   |
| EasyClean®                | Yes  |
| EasyClean® time           | 10mins   |
| Self Clean                | Yes  |
| GoCook Smart Oven Light   | Yes  |
| No. of Rack Positions     | 4  |
| Door Lock                 | Yes  |
| Auto Safety Shut-Down     | After 12 Hours   |

## ACCESSORIES

|                        |         |
|------------------------|---------|
| Standard Rack          | Yes (3) |
| Cooktop Cream/ Cleaner | Yes     |

## ThinQ® SMART FEATURES

|                                     |                                 |
|-------------------------------------|---------------------------------|
| ThinQ® (Wi-Fi Enabled)              | Yes                             |
| ThinQ UP                            | Yes                             |
| Check & Control                     | Yes                             |
| Voice Control                       | Google Assistant & Amazon Alexa |
| Smart Recipe (3rd Party Recipe App) | Yes                             |
| Proactive Customer Care             | Yes                             |
| SmartDiagnosis™                     | Yes                             |

## ENERGY

|                               |     |
|-------------------------------|-----|
| ENERGY STAR® Certified        | Yes |
| Energy Consumption (kWh/Year) | 195 |

## POWER/ RATINGS

|                    |               |
|--------------------|---------------|
| Amp at 208V / 240V | 55.3A/63.3A   |
| kW at 208V / 240V  | 11.5kW/15.2kW |

## REQUIRED POWER SUPPLY

|                       |     |
|-----------------------|-----|
| Required Power Supply | 40A |
|-----------------------|-----|

## DIMENSIONS/ CLEARANCES/ WEIGHT

|   |                                   |
|---|-----------------------------------|
| Shipping Weight (lbs)                             | 212.53                            |
| Product Weight (lbs)                              | 186.5                             |
| Cabinet Width (in)                                | 30"                               |
| Overall Depth (in) - without handle               | 26 27/32"                         |
| Overall Depth (in) - including handle             | 29 1/4"                           |
| Overall Height (in) - including backguard         | 46 15/32"                         |
| Overall Width (in)                                | 29 15/16"                         |
| Oven Interior Dimensions (Upper) (in) (W x H x D) | 24 13/16" x 10 13/16" x 19 13/16" |
| Oven Interior Dimensions (Lower) (in) (W x H x D) | 24 13/16" x 14 1/4" x 19 15/16"   |
| Height to Cooking Surface (in)                    | 36"                               |
| Carton Dimensions (in) (W x H x D)                | 32 1/2" x 51" x 30 1/2"           |

## LIMITED WARRANTY

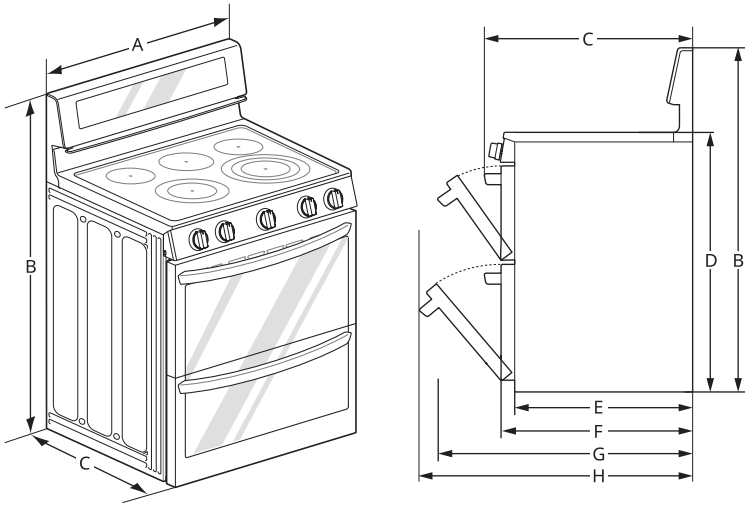
|               |        |
|---------------|--------|
| Parts & Labor | 1 Year |
|---------------|--------|

## UPC CODE

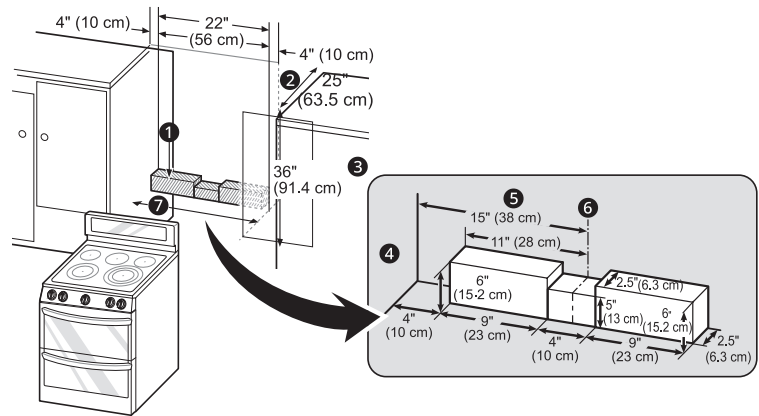
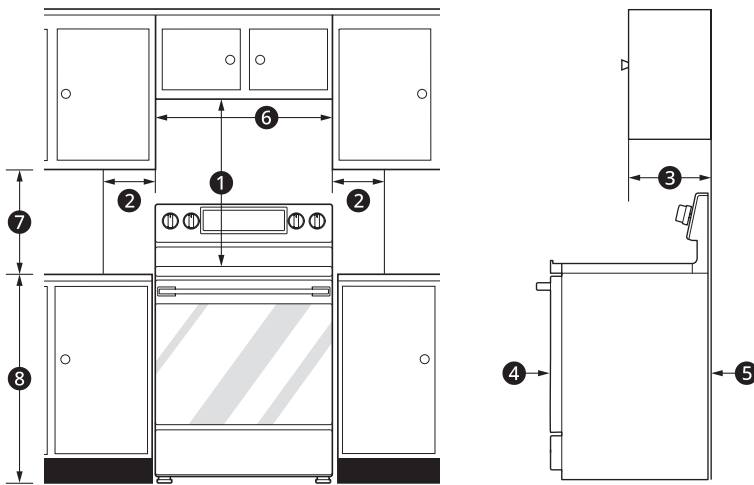
|            |              |
|------------|--------------|
| LDEL7324YE | 048231349086 |
|------------|--------------|

# LDEL7324YE

## DIMENSION / CLEARANCES



| DIMENSIONS |  |                       |
|------------|--|-----------------------|
| A          | Width  | 29 15/16" (760.8 mm)  |
| B          | Height   | 46 15/32" (1180.1 mm) |
| C          | Depth (Includes Door Handle)   | 29 1/4" (743.1 mm)    |
| D          | Height (Cooking surface)   | 36" (913.0 mm)        |
| E          | Depth (Includes only the product body that is loaded into the cabinet. Excludes door, drawer, and handles) | 24 3/4" (628.5 mm)    |
| F          | Depth (Excludes Door Handle)   | 26 27/32" (682.0 mm)  |
| G          | Depth when drawer is fully opened  | 38 5/8" (981.2 mm)    |
| H          | Depth when door is fully opened  | 42 3/16" (1072.2 mm)  |



| CLEARANCES |   |
|------------|---|
| 1          | Acceptable Electrical Outlet Area   |
| 2          | Normal Countertop Depth   |
| 3          | Countertop Height   |
| 4          | Cabinet   |
| 5          | Wall  |
| 6          | Center  |
| 7          | Cabinet Opening<br>= 30" (76.2 cm) For U.S.A.<br>= 30" (76.2 cm) - 31" (78.7 cm) For CANADA |

| MINIMUM DIMENSIONS |  |                 |
|--------------------|--|-----------------|
| 1                  | Minimum distance from top of range to combustible surface overhead | 30" (76.2 cm)   |
| 2                  | Minimum clearance to left/right wall                               | 5" (12.7 cm)    |
| 3                  | Maximum depth for cabinets above countertops                       | 13" (33.0 cm)   |
| 4                  | Front edge of the range side panel forward from cabinet            | 2 1/4" (6.3 cm) |
| 5                  | To cabinets below cooktop and at the range back)                   | 0"              |
| 6                  | Minimum opening in overhead cabinets                               | 30" (76.2 cm)   |
| 7                  | Minimum distance from countertop to overhead cabinets at side      | 15" (38.1 cm)   |
| 8                  | Height of countertop   | 36" (91.4 cm)   |

**NOTE**

- 1 30" (76.2 cm) minimum clearance between the top of the cooking surface and the bottom of an unprotected wood or metal cabinet; or 24" (60.9 cm) minimum when bottom of wood or metal cabinet is protected by not less than 1/4" (0.64 cm) flame retardant millboard covered with not less than no. 28MSG sheet steel, 0.015" (0.381 mm) stainless steel, 0.024" (0.610 mm) aluminum or 0.020" (0.508 mm) copper.
- 2 15" (38.1 cm) minimum between countertop and adjacent cabinet bottom.
- Important - Save for the use of the local electrical inspector.
- For installation in Canada, a free-standing range is not to be installed closer than 15/32" (12 mm) from any adjacent surface.