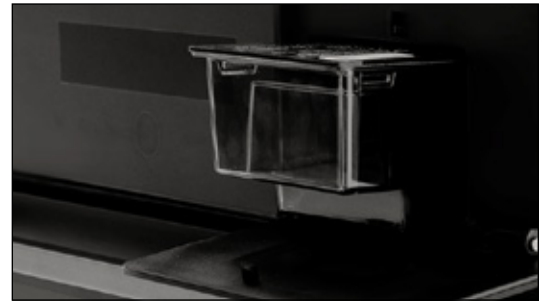


HZK-TS1 | HZK-TS1-Y MOONSHADOW Collection

24" Built-in Steam Combi Oven

FOTILE
A BREATH OF FRESH ENGINEERING®



- Color Variations**
- MOONSHADOW Grey
 - Onyx Black

Main Features

MOONSHADOW Color

Exclusive designer color with frosted matte anti-glare glass finish that resists fingerprints and water stains.

(Model HZK-TS1-Y only)

Onyx Black Tempered Glass

Sleek, durable, and scratch-resistant, this material meets cooking safety requirements and is easy to clean. Its **glossy finish** adds a touch of sophistication to any kitchen.

(Model HZK-TS1 only)

Multifunctional Built-in Oven

A steam oven, **a convection oven, an air fryer, and a dehydrator**—all in one! With extra features like proofing, defrosting, descaling, warm steam cleaning, and drying up, this oven redefines kitchen convenience.

52 Preset Menus

From omelette and pizza to chicken and BBQ ribs, enjoy effortless cooking and create anything imaginable with just **one touch**.

Precise Temperature Control

True convection with **top, rear, and hidden bottom** elements, enjoy uniform heating for versatile cuisine.

Top placed water tank

A press-and-pop design for a more comfortable touch. Spacious **44oz large water tank** allows for continuous cooking for up to 90 minutes.



HZK-TS1 | HZK-TS1-Y MOONSHADOW Collection

24" Built-in Steam Combi Oven

FOTILE
A BREATH OF FRESH ENGINEERING®

Specifications



Model: HZK-TS1-Y



Model: HZK-TS1

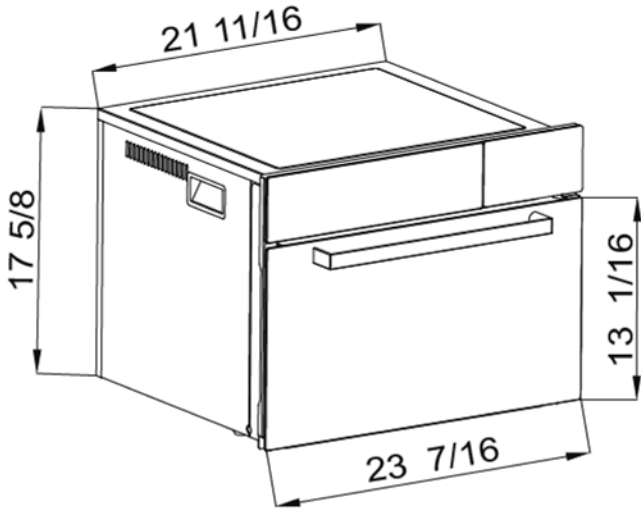
Style and Design		
Panel Material	MOONSHADOW	Onyx Black
Color	Anti-glare Glass	Tempered Glass
Control Type	Touch	
Interior Material	Stainless Steel	
Door Material	Tempered Glass	
Capacity (cu.ft.)	1.48	
Rack Levels	4	
No. of Heating Element	Total: 3 (Upper: 1, Rear: 1, Lower: 1 Hidden)	
Water Container Capacity (gal)	0.35	
Performance and Features		
Load Wattage (W)	3660 Total	
Top Heating Element	1000	
Bottom Heating	700	
Rear Heating Element	1400	
Assist Functions	Proof (86°F-122°F), Descale, Warm (122°F-122°F), Steam Clean, Dry Up, Defrost	
Preset Menu	Total 52: 15 for Bake/Broil/Roast, 10 for Steam-bake, 5 for Air Fry, 5 for Dehydrate, 17 for Steaming	
Temperature Range (°F)	86-446	
Technical Specs		
Power Supply (V/Hz)	240/60, 15A	
Power Cord Length (ft.)	6	
Steam Generator	Internal	
Warranty Summary		
Labor	1 Year	
Parts	1 Year (Limited)	

HZK-TS1 | HZK-TS1-Y MOONSHADOW Collection

24" Built-in Steam Combi Oven

FOTILE
A BREATH OF FRESH ENGINEERING®

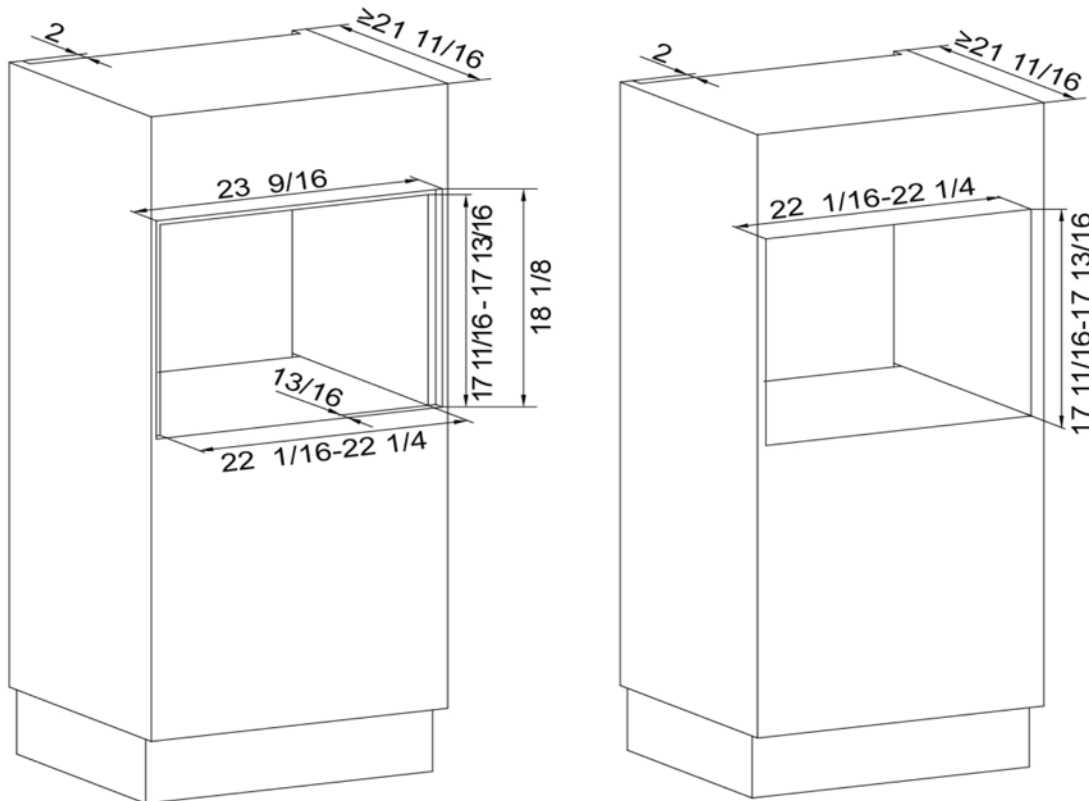
Product Dimensions (Unit: inch)



Product Dimension / Weight	
Product Size (WxHxD)(inch)	23 7/16 x 18 x 21 5/16
Build-in Size (WxHxD)(inch)	Standard 22 1/16 x 17 3/4 x (≥21 11/16) Flush 23 9/16 x 18 1/8 x (≥21 11/16)
Net Weight (lb)	68.3
Gross Weight (lb)	79.4

Accessories (Included)	
Cooking Pan *1	
Tray *1	

Installation Dimensions (Unit: inch)



Accessories: To purchase FOTILE accessories and parts, please visit us at ca.fotileglobal.com.

Notes: All height, width, and depth dimensions are shown in inches. FOTILE reserves the absolute and unrestricted right to change product materials and specifications at any time without notice. Consult the product's installation instructions for final dimensional data and other details prior to installation.

Warranties: Please see the user manual or FOTILE website for the statement of limited warranty.

For more information on our entire line of products: visit ca.fotileglobal.com.

©2021 FOTILE Canada. All rights reserved. FOTILE is a registered trademark of FOTILE Group.