



24" Dishwasher

Dishwasher

Available Products: FDSH4502BF

Available Colors: Stainless Steel

Version: 02/25

Product Specifications

Dishwasher

Detergent Dispenser	Yes
Filter Material	Stainless Steel
Filter Trap	Removable
Filtered Water	100 %
Hard Food Disposer or Filtration	No
Interior Light	No
Motor Speeds	Multi-Speed
Place Setting Capacity	14
Rinse Aid Dispenser	Yes
Smart Soil Sensor	Yes
Lower Spray Arm	Blade
Middle Spray Arm	Bi-Beam
Upper Spray Arm	Bi-Beam
Tub Color	Stainless Steel
Tub Design	Tall Tub
Tub Material	Stainless Steel
Wash Levels	5
Wash System	Direct Feed
Water Usage	3.2 Gallons

Dishwasher Options

Air Dry	Yes
Automatic Door Open	Yes
Dry - Max	Yes
Washing Temperature - Normal	Yes

Upper Rack

Cup Shelf	Yes
Fold-Down	Yes
Rack Coating	Nylon
Rack Handles	Yes
Rack Type	Standard

Controls

Control Location	Top
Control Lock	Yes
Delay Start Hours	1-12 Hours
Digital Display	Yes
Rinse Aid Indicator	Yes

Dishwasher Cycles

Energy Saver	Yes
Heavy	Yes
Normal	Yes
Number of Cycles	5
Quick	Yes
Sanitize	Yes

Lower Rack

Fold-Down	Yes
Number of Silverware Basket	1
Rack Coating	Nylon
Rack Type	Standard

Third Level Rack

Third Level Rack	Yes
Rack Coating	Nylon
Rack Handles	No

Exterior

Door and Handle Design	Handle
Door Latch	Pull
Door Type	StayPut

Electrical Specifications

Amps @ 120 Volts	8.4 Amps
Voltage Rating	120 V

General Specifications

Sound Level	49 dBA
Annual Energy	240 kWh
Prop 65 Label	Yes
Warranty - Labor	1 Year
Warranty - Parts	1 Year

Safety Certifications and Approvals

cUL Listed	Yes
ETL Listed	Yes
Meets ASSE 1006 Requirements	Yes
NSF Certified	Yes
UL Listed	Yes

Dimensions and Volume

Minimum Height	33 37/50"
Maximum Height	34 1/10"
Width	23 43/50"
Depth	24 53/100"
Depth With Door Open	50"
Depth With Handle	26 59/100"

Installation

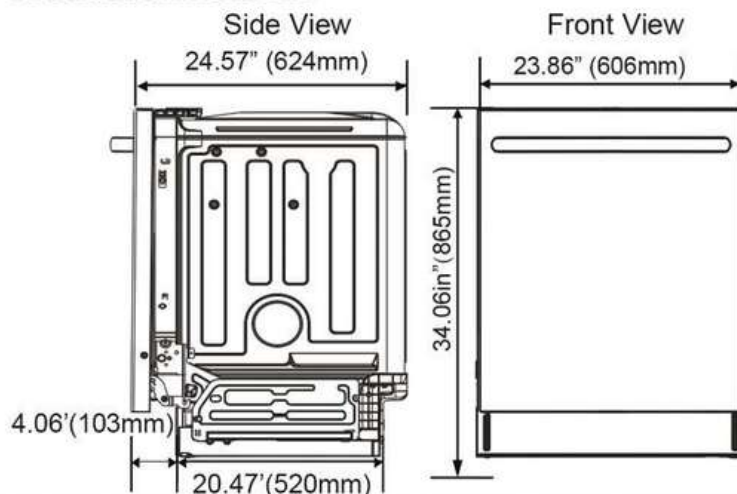
Connection Location	Bottom Right
Number of Leveling Legs	3
Water Inlet Location	Left Rear

Performance Certifications and Approvals

CEE Tier	Tier 2
ENERGY STAR Certified	Yes

Installation Diagram

Product dimensions



NOTE

Water supply line, power cable and drain hose will run through the bottom channels from the back to the front connections.

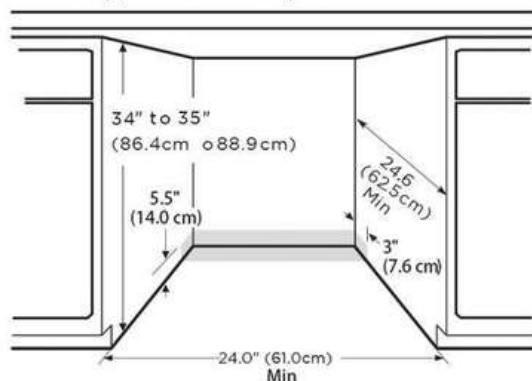
Enclosure dimensions



NOTE

This dishwasher is designed to be enclosed on the top and on both sides by a standard residential kitchen cabinet unit. The installation enclosure must be clean and free of any obstructions.

The enclosure must be at least 24 inches wide 24.6 inches deep and 34 inches high. For the front door of the dishwasher to be flush with the leading edge of the counter top, the counter top must be at least 24.6 inches deep.



* Make sure water line, wires and drain hose are within the shaded area.